



**ALTA**  
WINDOW FASHIONS  
*design simplified*

# NATURAL WOVEN SHADES

Pricing effective April 17, 2023 and supersedes all previous pricing.  
Subject to change by Alta Window Fashions.

---

## SUMMARY OF REVISIONS

---

---

## NATURAL WOVEN SHADES – TABLE OF CONTENTS

---

• Collection Information .....	3
• Color Charts .....	4-5
<b>Pricing and Options</b>	
• Woven Woods – Groups A-E .....	6
• Decorative Wovens (Select Weaves and Grass Weaves) – Groups F-G .....	7
• Light Filtering Linings .....	7
• Bliss and Somfy Automation .....	8
<b>Shade Specifications</b>	
• Standard Shade Diagram .....	9
• Continuous Loop Control Shade Diagram .....	10
• Cordless Breeze Shade Diagram .....	11
• Configuration Options .....	12-13
• Edge Binding Options .....	14-15
• Valance Options .....	15
• Lining Options .....	16
• Feature and Benefit .....	17
• Size Specifications .....	18-24
• Finished Dimensions and Mounting Requirements .....	25-26

**Product Components Guide** – product components pages are now featured in a separate guide for quick reference. [Click here to view.](#)

### **Oversize Common Carrier Delivery**

All orders with any quantity of shades or blinds or any continuous valance 90" or more in width are considered oversize. Therefore, a net shipping charge per oversized unit will be assessed.

Oversized orders that require expedited shipping will be quoted and charged accordingly.

Please see General Information for additional freight and shipping charge information.

## IMPORTANT NOTE ABOUT NATURAL WOVEN MATERIALS

Our custom crafted Woven Wood shades are uniquely constructed from natural bamboo, reeds, jutes, rattan, grasses and woods. Many materials, such as natural grasses, are hand tied and braided with expert care.

Over time, some patterns may turn slightly darker or lighter in color, depending on the material. Variations in stain, pattern irregularities and knots are unique characteristics that contribute to the natural beauty of the shade.

It is common for woven shades to minimally stretch in length over time due to the natural fibers of the material and characteristics of some weaves. The average stretching amount is approximately 1/2" for every 3 feet of shade length plus or minus 1/4".

Due to the woven construction of our shades, yarns may have shifted during shipping. This shifting may cause a slight shortening of height or uneven edges.

Please read below for quick and easy remedies.

Height: If after installation you find your shade is slightly shorter than the ordered height, simply grasp the bottom of the shade and gently pull to stretch the product to full height.

Uneven Edges: Lightly tap edge of shade with a flat surface (ruler, etc.) until even.

## COLLECTION INFORMATION

Collection	Fabric Code	Color Code	Fabric Name	Fabric Composition	Price Group
Woven Wood	CUL	2085	Antigua Maze	42% Bamboo, 51% Jute, 7% Polyester	E
Woven Wood	CUL	2547	Antigua Oyster	35% Bamboo, 51% Paper, 14% Polyester	E
Woven Wood	CUL	2086	Antigua Surf	34% Bamboo, 52% Jute, 14% Polyester	E
Woven Wood	CUL	2157	Banjar Artisan	48% Bamboo, 47.5% Jute, 4.5% Polyester	D
Woven Wood	CUL	2545	Banjar Cool Gray	47% Bamboo, 47% Jute, 6% Polyester	D
Woven Wood	CUL	2546	Banjar Ivory	47% Bamboo, 47% Jute, 6% Polyester	D
Woven Wood	CUL	2552	Bimini Gray	82% Bamboo, 12% Paper, 6% Polyester	C
Woven Wood	CUL	2108	Bimini Walnut	69% Bamboo, 18% Grass, 13% Polyester	C
Woven Wood	CUL	2548	Bimini White	82% Bamboo, 12% Paper, 6% Polyester	C
Select Weave	SLW	2537	Cancun Shell	32% Bamboo, 32% Jute, 32% Paper, 4% Polyester	F
Select Weave	SLW	2538	Cancun White	32% Bamboo, 64% Jute Pulp Thread, 4% Polyester	F
Select Weave	SLW	2529	Cano Cream	38% Bamboo, 34% Jute, 28% Polyester	F
Select Weave	SLW	2539	Cano White	36% Bamboo, 50% Jute Pulp Thread, 14% Polyester	F
Select Weave	SLW	3000	Caspian Frost	75% Bamboo, 19% Jute, 6% Polyester	F
Grass Weave	GRW	9476	Celebes Ivory	67% Paper, 37% Polyester	E
Grass Weave	GRW	9475	Celebes Seashell	67% Paper, 37% Polyester	E
Woven Wood	TER	2057	Ensenada Negro	98% Bamboo, 2% Polyester	A
Woven Wood	TER	2078	Ensenada Tranquil	92% Bamboo, 8% Polyester	A
Grass Weave	GRW	2311	Granada Ginger	20% Polyester, 80% Cellulose	E
Woven Wood	TER	2550	Hi-Lo Pebble	97% Bamboo, 3% Polyester	B
Woven Wood	TER	2210	Hi-Lo White	97% Bamboo, 3% Polyester	B
Woven Wood	ELI	2549	Honduras Gray	99% Bamboo, 1% Polyester	B
Woven Wood	ELI	2084	Honduras Rust	89% Bamboo, 11% Polyester	B
Woven Wood	ELI	2083	Honduras Timbre	89% Bamboo, 11% Polyester	B
Woven Wood	TER	2551	Kano Eggshell	89% Bamboo, 11% Polyester	B
Woven Wood	TER	2110	Kano Greywood	89% Bamboo, 11% Polyester	B
Woven Wood	TER	2540	Kano Rhino	89% Bamboo, 11% Polyester	B
Grass Weave	GRW	2349	Kokomo Gravel	96% Paper, 4% Polyester	F
Grass Weave	GRW	2348	Kokomo Gray	96% Paper, 4% Polyester	F
Grass Weave	GRW	2350	Kokomo Taupe	96% Paper, 4% Polyester	F
Grass Weave	GRW	2324	Luzon Cornsilk	30% Polyester, 30% Cotton, 40% Cellulose	F
Grass Weave	GRW	2325	Luzon Greige	30% Polyester, 30% Cotton, 40% Cellulose	F
Grass Weave	GRW	2323	Luzon Whisper	30% Polyester, 30% Cotton, 40% Cellulose	F
Select Weave	SLW	2535	Mali Oyster	26% Bamboo, 30% Jute, 30% Paper, 14% Polyester	F
Select Weave	SLW	2423	Mali Tan	36% Bamboo, 54% Jute, 10% Polyester	F
Select Weave	SLW	2534	Mali White	30% Bamboo, 56% Jute Pulp Thread, 14% Polyester	F
Woven Wood	CUL	2223	Mesa Mocha	58% Bamboo, 33% Jute, 9% Polyester	D
Woven Wood	ELI	2104	Nagoya Harvest	42% Bamboo, 42% Jute, 16% Polyester	C
Woven Wood	CUL	5100	Portsmouth Cove	44% Bamboo, 45% Jute, 11% Polyester	D
Select Weave	SLW	2531	Rio Gray	35% Bamboo, 38% Paper, 27% Polyester	F
Select Weave	SLW	2536	Rio White	29% Bamboo, 52% Paper, 19% Polyester	F
Woven Wood	CUL	2061	Saba Dusk	55% Bamboo, 37% Jute, 8% Polyester	D
Woven Wood	CUL	2060	Saba Sunset	52% Bamboo, 39% Jute, 9% Polyester	D
Select Weave	SLW	2526	Salvador Driftwood	92% Jute, 8% Polyester	F
Select Weave	SLW	2524	Salvador Mirage	92% Jute, 8% Polyester	F
Select Weave	SLW	2525	Salvador Pistachio	92% Jute, 8% Polyester	F
Woven Wood	EXO	2542	Serengeti Light Gray	47% Bamboo, 47% Paper, 6% Polyester	D
Woven Wood	EXO	2543	Serengeti Ombré Gray	17% Bamboo, 77% Jute, 6% Polyester	D
Woven Wood	EXO	2052	Serengeti Sunrise	37% Bamboo, 56% Jute, 7% Polyester	D
Woven Wood	EXO	2232	Serengeti Taos	32% Bamboo, 56% Jute, 12% Polyester	D
Woven Wood	EXO	2541	Serengeti White	36% Bamboo, 58% Jute Pulp Thread, 6% Polyester	D
Grass Weave	GRW	2339	Singapore Cotton	85% Paper, 15% Polyester	E
Grass Weave	GRW	2338	Singapore Talc	85% Paper, 15% Polyester	E
Select Weave	SLW	2532	Sintra Cream	87% Jute, 1% Hollow Bamboo, 12% Polyester	G
Select Weave	SLW	2433	Sintra Dust	87% Jute, 1% Hollow Reeds, 12% Polyester	G
Select Weave	SLW	2533	Sintra Sage	87% Jute, 1% Hollow Bamboo, 12% Polyester	G
Woven Wood	EXO	5000	Sumatra Slate	5% Bamboo, 90% Jute, 5% Polyester	D
Woven Wood	EXO	2150	Sumatra Surprise	7% Bamboo, 88% Jute, 5% Polyester	D
Woven Wood	EXO	5001	Sumatra Twilight	5% Bamboo, 90% Jute, 5% Polyester	D
Select Weave	SLW	2445	Tunisia Gray	51% Jute, 49% Polyester	G
Select Weave	SLW	2441	Tunisia Ivory	90% Jute, 10% Polyester	G
Woven Wood	ELI	2059	Veracruz Earth	99% Bamboo, 1% Polyester	C
Woven Wood	ELI	2080	Veracruz Mocha	92% Bamboo, 8% Polyester	C
Woven Wood	ELI	2544	Veracruz White	99% Bamboo, 1% Polyester	C
Woven Wood	TER	2234	Zee Gray	92% Bamboo, 8% Polyester	C
Woven Wood	TER	2237	Zee White	92% Bamboo, 8% Polyester	C

## WOVEN WOODS COLOR CHART

FABRIC CODE	COLOR CODE	COLOR NAME	DOWEL SIZE / HEM BAR	FAUX SILK/ TWILL EDGE BINDING	TWILL EDGE BINDING DEFAULT COLOR	SEAM/ CUSTOM SEAM PLACEMENT
-------------	------------	------------	----------------------	-------------------------------	----------------------------------	-----------------------------

### PRICE GROUP A

TER	2078	Ensenada Tranquil	¾"	Twill Only	-	No
TER	2057	Ensenada Negro	¾"	Twill Only	-	No

### PRICE GROUP B

TER	2210	Hi-Lo White	¾"	Twill Only	-	No
TER	2550	Hi-Lo Pebble	¾"	Twill Only	-	No
ELI	2549	Honduras Gray	½"	Twill Only	-	No
ELI	2083	Honduras Timbre	½"	Twill Only	-	No
ELI	2084	Honduras Rust	½"	Twill Only	-	No
TER	2110	Kano Greywood	¾"	Twill Only	-	No
TER	2540	Kano Rhino	¾"	Twill Only	-	No
TER	2551	Kano Eggshell	¾"	Twill Only	-	No

### PRICE GROUP C

CUL	2108	Bimini Walnut	½"	Twill Only	-	No
CUL	2548	Bimini White	½"	Twill Only	-	No
CUL	2552	Bimini Gray	½"	Twill Only	-	No
ELI	2104	Nagoya Harvest	¾"	Twill Only	-	No
ELI	2059	Veracruz Earth	½"	Twill Only	-	No
ELI	2080	Veracruz Mocha	½"	Twill Only	-	No
ELI	2544	Veracruz White	½"	Twill Only	-	No
TER	2234	Zee Gray	¾"	Twill Only	-	No
TER	2237	Zee White	¾"	Twill Only	-	No

### PRICE GROUP D

CUL	2157	Banjar Artisan	¾"	Twill Only	-	No
CUL	2545	Banjar Cool Gray	¾"	Twill Only	-	No
CUL	2546	Banjar Ivory	¾"	Twill Only	-	No
CUL	2223	Mesa Mocha	¾"	Twill Only	-	No
CUL	5100	Portsmouth Cove	¾"	Twill Only	-	No
CUL	2060	Saba Sunset	¾"	Twill Only	-	No
CUL	2061	Saba Dusk	¾"	Twill Only	-	No
EXO	2542	Serengeti Light Gray	¾"	Twill Only	-	No
EXO	2543	Serengeti Ombré Gray	¾"	Twill Only	-	No
EXO	2052	Serengeti Sunrise	¾"	Twill Only	-	No
EXO	2541	Serengeti White	¾"	Twill Only	-	No
EXO	2232	Serengeti Taos	¾"	Twill Only	-	No
EXO	2150	Sumatra Surprise	¾"	Twill Only	-	No
EXO	5000	Sumatra Slate	¾"	Twill Only	-	No
EXO	5001	Sumatra Twilight	¾"	Twill Only	-	No

### PRICE GROUP E

CUL	2085	Antigua Maze	½"	Twill Only	-	No
CUL	2547	Antigua Oyster	½"	Twill Only	-	No
CUL	2086	Antigua Surf	½"	Twill Only	-	No

**NOTE:**

- No wood dowel under edge-binding
- Seam option is not available with Woven Wood Shades due to the characteristic of the material.
- A surcharge will be added for shade/valance ordered with edge binding
- Hold-downs are not available with shades made without wood dowel bottom rail (ex. Cordless Breeze, shades with edge binding, and shades

# DECORATIVE WOVENS COLOR CHART

GRASS WEAVES (GRW) COLOR CHART						
FABRIC CODE	COLOR CODE	COLOR NAME	DOWEL SIZE / HEM BAR	FAUX SILK/ TWILL EDGE BINDING	TWILL EDGE BINDING DEFAULT COLOR	SEAM/ CUSTOM SEAM PLACEMENT

PRICE GROUP E						
GRW	9476	Celebes Ivory *	Hem Bar	Both	-	No
GRW	9475	Celebes Seashell *	Hem Bar	Both	-	No
GRW	2311	Granada Ginger	¾"	Both	-	Yes
GRW	2338	Singapore Talc	¾"	Both	-	Yes
GRW	2339	Singapore Cotton	¾"	Both	-	Yes

PRICE GROUP F						
GRW	2349	Kokomo Gravel	¾"	Both	-	Yes
GRW	2348	Kokomo Gray	¾"	Both	-	Yes
GRW	2350	Kokomo Taupe	¾"	Both	-	Yes
GRW	2324	Luzon Cornsilk **	¾"	Both	CT403 Duck	Yes
GRW	2325	Luzon Greige **	¾"	Both	CT420 Silver	Yes
GRW	2323	Luzon Whisper **	¾"	Both	CT400 White	Yes

SELECT WEAVES (SLW) COLOR CHART						
FABRIC CODE	COLOR CODE	COLOR NAME	DOWEL SIZE / HEM BAR	FAUX SILK/ TWILL EDGE BINDING **	TWILL EDGE BINDING DEFAULT COLOR	SEAM/ CUSTOM SEAM PLACEMENT

PRICE GROUP F						
SLW	2537	Cancun Shell	Hem Bar	Twill Only	-	No
SLW	2538	Cancun White	Hem Bar	Twill Only	-	No
SLW	2529	Cano Cream	Hem Bar	Both	-	No
SLW	2539	Cano White	Hem Bar	Both	-	No
SLW	3000	Caspian Frost	Hem Bar	Both	-	No
SLW	2535	Mali Oyster	Hem Bar	Both	-	No
SLW	2423	Mali Tan	Hem Bar	Both	-	No
SLW	2534	Mali White	Hem Bar	Both	-	No
SLW	2531	Rio Gray	Hem Bar	Both	-	No
SLW	2536	Rio White	Hem Bar	Both	-	No
SLW	2526	Salvador Driftwood	Hem Bar	Both	-	Yes
SLW	2524	Salvador Mirage	Hem Bar	Both	-	Yes
SLW	2525	Salvador Pistachio	Hem Bar	Both	-	Yes

Price Group G						
SLW	2532	Sintra Cream	Hem Bar	Both	-	No
SLW	2433	Sintra Dust	Hem Bar	Both	-	No
SLW	2533	Sintra Sage	Hem Bar	Both	-	No
SLW	2441	Tunisia Ivory	Hem Bar	Both	-	No
SLW	2445	Tunisia Gray	Hem Bar	Both	-	No

\* Not available under automation.

\*\* All Luzon material requires edge binding. A surcharge will apply on all patterns that require twill edge binding or shade/valance ordered with edge binding.

**NOTE:**

- No wood dowel under edge-binding
- A surcharge will be added for shade/valance ordered with edge binding
- Hold-downs are not available with shades made without wood dowel bottom rail (ex. Cordless Breeze, shades with edge binding, and shades under Select Weave Collection)
- Most Grass Weave & Select Weave patterns are available up to 96" with a center seam. Shades over 72" wide will come standard at no additional charge with 1 seam placed in the center.
- Custom seam placement is available on most Grass Weaves and Select Weaves for an additional surcharge. Allows up to 2 seams per shade. Minimum seam placement from the side edges of the shade is 5".
  
- Salvador Collection is available in widths up to 120" with a seam. Shades over 96" will come standard at no charge with 1 seam placed in the center of the shade.



**ELI**  
2549 Honduras Gray  
2083 Honduras Timbre  
2084 Honduras Rust

**TER**  
2210 Hi-Lo White  
2550 Hi-Lo Pebble  
2110 Kano Greywood  
2540 Kano Rhino  
2551 Kano Eggshell

**GROUP A**

**TER**  
2078 Ensenada Tranquil  
2057 Ensenada Negro

WIDTH TO:	24"	36"	48"	60"	72"	84"	96"
<b>HEIGHT TO:</b>							
36"	\$210	254	310	367	470	570	656
48"	237	265	325	397	517	625	723
61"	248	300	381	456	555	674	786
72"	262	327	416	507	598	730	839
84"	313	389	478	564	693	844	990
96"	352	441	538	646	797	987	1071
108"	381	482	595	704	884	1064	1125
120"	538	744	944	1103	1325	1536	1733
144"	646	893	1133	1323	1590	1843	2079

**GROUP B**

WIDTH TO:	24"	36"	48"	60"	72"	84"	96"
<b>HEIGHT TO:</b>							
36"	\$262	345	408	497	624	761	849
48"	304	372	430	564	696	867	974
61"	324	414	513	617	781	961	1096
72"	349	472	593	682	853	1064	1210
84"	407	534	668	801	1028	1223	1326
96"	473	620	789	948	1166	1333	1416
108"	516	693	887	1063	1250	1433	1550
120"	575	811	1047	1234	1427	1766	1931
144"	690	974	1257	1481	1713	2119	2318

**ELI**  
2104 Nagoya Harvest  
2059 Veracruz Earth  
2080 Veracruz Mocha  
2544 Veracruz White

**TER**  
2234 Zee Gray  
2237 Zee White

**CUL**  
2108 Bimini Walnut  
2548 Bimini White  
2552 Bimini Gray

**GROUP C**

WIDTH TO:	24"	36"	48"	60"	72"	84"	96"
<b>HEIGHT TO:</b>							
36"	\$289	385	474	564	698	867	973
48"	338	428	498	633	788	980	1106
61"	364	481	590	691	888	1105	1241
72"	403	549	661	779	976	1228	1381
84"	460	608	775	931	1178	1415	1524
96"	531	714	913	1097	1356	1543	1657
108"	599	801	1022	1238	1467	1676	1806
120"	645	906	1165	1379	1592	1813	2054
144"	774	1087	1398	1655	1911	2176	2466

**CUL**  
2157 Banjar Artisan  
2545 Banjar Cool Gray  
2546 Banjar Ivory  
2223 Mesa Mocha  
5100 Portsmouth Cove  
2060 Saba Sunset  
2061 Saba Dusk

**EXO**  
2542 Serengeti Light Gray  
2543 Serengeti Ombré Gray  
2052 Serengeti Sunrise  
2541 Serengeti White  
2232 Serengeti Taos  
2150 Sumatra Surprise  
5000 Sumatra Slate  
5001 Sumatra Twilight

**GROUP D**

WIDTH TO:	24"	36"	48"	60"	72"	84"	96"
<b>HEIGHT TO:</b>							
36"	\$366	482	574	683	853	1055	1182
48"	437	582	656	786	990	1217	1358
61"	465	650	754	909	1106	1386	1561
72"	541	695	863	981	1255	1547	1734
84"	614	808	962	1180	1494	1799	1915
96"	664	906	1145	1392	1709	1972	2121
108"	802	1062	1298	1599	1852	2150	2276
120"	863	1201	1479	1779	2009	2324	2588
144"	1036	1441	1775	2135	2411	2789	3105

**CUL**  
2085 Antigua Maze  
2547 Antigua Oyster  
2086 Antigua Surf

**GRW**  
9476 Celebes Ivory \*  
9475 Celebes Seashell \*  
2311 Granada Ginger  
2338 Singapore Talc  
2339 Singapore Cotton

**GROUP E**

\* Most Grass Weave shades are available up to 72" widths without a seam.

WIDTH TO:	24"	36"	48"	60"	72"	84"	96"	108"	120"
<b>HEIGHT TO:</b>									
36"	\$423	552	672	812	1015	1277	1427	1473	1551
48"	479	591	723	913	1154	1446	1634	1684	1775
61"	519	708	829	1016	1310	1647	1848	1900	2001
72"	560	826	941	1137	1444	1836	2062	2115	2225
84"	666	891	1142	1378	1760	2141	2294	2346	2469
96"	779	1054	1359	1637	2053	2338	2501	2554	2691
108"	881	1190	1540	1861	2231	2556	2735	2790	2936
120"	935	1265	1632	1970	2361	2708	2891	2943	3099
144"	1122	1518	1959	2365	2833	3250	3470	3532	

Shades over 96" are available in most styles with a center seam. See size specifications section for details.

<b>SLW</b>	<b>SLW</b>	<b>GRW</b>
2535 Mali Oyster	2537 Cancun Shell	2349 Kokomo Gravel
2423 Mali Tan	2538 Cancun White	2348 Kokomo Gray
2534 Mali White	2529 Cano Cream	2350 Kokomo Taupe
2526 Salvador Driftwood	2539 Cano White	2324 Luzon Cornsilk **
2524 Salvador Mirage	3000 Caspian Frost	2325 Luzon Greige **
2525 Salvador Pistachio	2531 Rio Gray	2323 Luzon Whisper **
	2536 Rio White	

**SLW**

2532 Sintra Cream
2433 Sintra Dust
2533 Sintra Sage
2441 Tunisia Ivory
2445 Tunisia Gray

**GROUP F** \* Most Grass Weave shades are available up to 72" widths without a seam.

WIDTH TO:	24"	36"	48"	60"	72"	84"	96"	108"	120"
<b>HEIGHT TO:</b>									
36"	\$497	646	754	974	1223	1549	1735	1785	1889
48"	556	732	857	1090	1432	1795	2015	2068	2188
61"	619	827	1047	1258	1614	2061	2333	2381	2520
72"	675	917	1164	1407	1843	2312	2608	2659	2809
84"	805	1085	1392	1728	2238	2722	2889	2943	3110
96"	962	1325	1696	2070	2585	2998	3222	3273	3460
108"	1092	1489	1950	2417	2817	3289	3467	3517	3716
120"	1158	1577	2064	2550	2975	3477	3653	3705	3916
144"	1390	1893	2476	3060	3570	4173	4384	4446	

Shades over 96" are available in most styles with a center seam. See size specifications section for details.

**GROUP G**

WIDTH TO:	24"	36"	48"	60"	72"	84"	96"
<b>HEIGHT TO:</b>							
36"	\$582	765	997	1210	1482	1767	1944
48"	672	921	1085	1466	1801	2117	2362
61"	769	1062	1400	1739	2146	2577	2829
72"	874	1231	1637	2044	2530	3054	3426
84"	1003	1414	1889	2368	2945	3583	3977
96"	1136	1610	2156	2729	3384	4175	4460
108"	1245	1768	2413	3074	3827	4554	4869
120"	1319	1871	2550	3244	4037	4801	5131
144"	1584	2245	3060	3893	4844	5762	6158

**FIXED LINER – Shade**

WIDTH TO:	24"	36"	48"	60"	72"	84"	96"	108"	120"
Light-Filtering	\$79	103	130	155	191	218	239	267	300
Room Darkening	132	162	187	217	272	305	335	375	414

**VALANCE – Shade Valance Additional Height Pricing (over 6" height shade valance pricing)**

WIDTH TO:	24"	36"	48"	60"	72"	84"	96"	108"	120"
<b>HEIGHT TO:</b>									
12"	\$122	158	193	227	260	295	329	363	398

• Use this grid to price extra valance height above 6"

**VALANCE – Individual Valance Pricing**

WIDTH TO:	24"	36"	48"	60"	72"	84"	96"	108"	120"
<b>HEIGHT TO:</b>									
6"	\$98	134	169	203	235	271	305	339	374
12"	122	158	193	227	260	295	329	363	398

• Use this grid to price your INDIVIDUAL valance.

Note: Individual Outside Mount valances are built on the large 2-1/2" depth headrail unless specified. Returns are standard on outside mounts.

**FIXED LINER – Valance Only**

WIDTH TO:	24"	36"	48"	60"	72"	84"	96"	108"	120"
<b>HEIGHT TO:</b>									
6"	\$42	45	48	52	55	61	67	75	85
12"	48	52	55	61	64	70	76	85	95

• For Valance with liner heights over 6", use 12" on this grid to price extra height above 6".

OPTIONS: NO CHARGE
• 2 on 1 Headrail (price as two separate shades)
• 3 on 1 Headrail (price as three separate shades)
• Valance Returns for Inside Mounts
• Control Positions (R to L)
• Extension Brackets
• Hold Down Brackets
• Cord Cleats (standard on Top-Down/Bottom-Up shades)
• Cut-outs - maximum size 3" x 8" on bottom of shade (left or right side)

OPTIONS: EXTRA CHARGE
• Top-Down/Bottom-Up ..... add \$91
• Continuous Loop Control ..... add \$137
• Cordless Breeze ..... add \$110
• Twill Edge-Binding ..... add \$91
• Faux Silk Edge-Binding ..... add \$182
• Seam ..... add 15%



The Automation cost factor is different from blinds/shades. If you need to access your cost factor, refer to page 4 in the General Information Guide. Automation consists of a motor, power source, and controller. Be sure all of these elements are included when determining final price.

BLISS AUTOMATION OPTIONS: EXTRA CHARGE – SPECIFY ON ORDER		
USE APPROPRIATE WOVEN PRICE GRID FOR SHADE PRICE, THEN ADD BLISS EXTRA CHARGE(S) BELOW		
<b>Motor Systems</b>		
• Bliss™ 1.1 DC*	Part #62004100	add \$210 per motor
• Bliss™ 1.1 Li-Ion	Part #62004000	add \$300 per motor
• Bliss™ 2.0 Li-Ion	Part #62005000	add \$360 per motor
<b>Control Options &amp; Accessories</b>		
• Bliss™ Wall Switch	Part #1026657	add \$50 each
• Bliss™ Bridge	Part #1026654	add \$100 each
<b>Power Accessories</b>		
• Charging Block 5V/2A	Part #62200000	add \$10 each
• Plug In Charger Kit	Part #1027720	add \$30 each
• 8" Charger Extension	Part #62206700	add \$6 each
• 48" Charger Extension	Part #62206800	add \$10 each
• 48" Battery Pack Extension	Part #62207000	add \$6 each
• Bliss™ External Battery Pack*	Part #62203300	add \$90 each
• 12v DC Plug In Transformer*	Part #62209000	add \$40 each
• 15v DC Distribution Power Panel - 18 Motor*	Part #1037300	add \$500 each
• Magnetic Charging Kit	Part #1026665	add \$40 each
• Magnetic Charging Tips	Part #62206200	add \$6 each
• Solar Panel	Part #62201000	add \$120 each

\* External power source required with Bliss™ 1.1DC. These options indicate a compatible power source.

SOMFY AUTOMATION OPTIONS: EXTRA CHARGE – SPECIFY ON ORDER (Must select Somfy power source* when ordering)		
USE APPROPRIATE WOVEN PRICE GRID FOR SHADE PRICE, THEN ADD SOMFY EXTRA CHARGE(S) BELOW		
<b>Motor Systems</b>		
• Sonesse® 28 WireFree™ RTS Li-Ion	Part #1026825	add \$360 per motor
• Sonesse® 28 WireFree™ ZigBee Li-Ion	Part #1035013	add \$420 per motor
• Sonesse® ULTRA 30 WireFree™ RTS Li-Ion	Part #1003310SMFY	add \$420 per motor
• Sonesse® ULTRA 30 WireFree™ ZigBee Li-Ion	Part #1035014	add \$480 per motor
• Sonesse® 28 WireFree™ RTS DC	Part #1026826	add \$260 per motor
• Sonesse® 28 WireFree™ ZigBee DC	Part #1035012	add \$320 per motor
• Sonesse® 30 RTS 24v DC	Part #1026828	add \$510 per motor
<b>** SOMFY DC MOTORS REQUIRE EXTERNAL POWER SOURCE. SEE OPTIONS BELOW</b>		
<b>Control Options &amp; Accessories</b>		
• Situ@ 1 RTS	Part #1019536	add \$60 each
• Situ@ 5 RTS	Part #1019537	add \$84 each
• Situ@ 1 Zigbee	Part #1035016	add \$100 each
• Situ@ 4 Zigbee	Part #1035017	add \$140 each
• Decoflex WireFree™ RTS - 1 Channel	Part #1810897	add \$100 each
• Decoflex WireFree™ RTS - 5 Channel	Part #1810813	add \$100 each
• Telis 1 Chronis Remote	Part #1805237A	add \$330 each
• Telis 16 Remote	Part #1811081	add \$300 each
• Smooove® 1 RTS Wall Switch, Pure	Part #1811533	add \$120 each
• Smooove® 4 RTS Wall Switch	Part #1019538	add \$120 each
• Black Wall Switch Frame	Part #9015023	add \$24 each
• Silver Wall Switch Frame	Part #9015025	add \$24 each
• Tahoma Wi-Fi Interface and App	Part #1031856	add \$300 each
• Tahoma Ethernet Adaptor	Part #1031853	add \$40 each
• RTS Repeater	Part #1810791	add \$300 each
• Universal RTS Interface	Part #1810872	add \$660 each
• Smart Plug ZigBee	Part #1035018	add \$100 each
<b>Power Accessories</b>		
• Lithium-Ion Charger*	Part #9025166	add \$30 each
• 95" Charger Extension	Part #9021016	add \$12 each
• Rechargeable Battery Pack**	Part #1019535	add \$100 each
• Single Reloadable Battery Wand (empty tube)**	Part #RC445268	add \$36 each
• Dual Reloadable Battery Wand (empty tube)**	Part #KITRDWR	add \$86 each
• 10" Battery Pack Extension	Part #9018623	add \$12 each
• 48" Battery Pack Extension	Part #9016736	add \$12 each
• 96" Battery Pack Extension	Part #9018624	add \$18 each
• WireFree™ Li-ion Solar Panel Kit*	Part #1026827	add \$160 each
• 24v DC Power Distribution Enclosure Kit - 10 Motor***	Part #1870192	add \$1200 each
• 24v DC Power Distribution Enclosure Kit - 20 Motor***	Part #1870198	add \$3000 each
• 12v DC Power Supply**	Part #1822445	add \$140 each
• 24v DC Power Supply***	Part #RC445117	add \$100 each

\* Compatible with Sonesse® 28 WireFree™ RTS/ZigBee Li-Ion, Sonesse® ULTRA 30 WireFree™ RTS/ZigBee Li-Ion

\*\* Compatible with Rechargeable Battery Pack, Sonesse® 28 WireFree™ RTS/ZigBee DC

\*\*\* Compatible with Sonesse® 30 RTS 24v DC

# SHADE CONFIGURATION DIAGRAM

## Shades and Individual Valances Are Built on 1 of 3 Headrail Depths:

- 1-1/2" Headrail Depth: Standard Rectangular, Waterfall Style, Top-Down/Bottom-Up & Turned Headrail
- 2-1/2" Headrail Depth: Automation, Continuous Loop Control, 2 or 3 on 1 Headrail & Individual Valances
- 3/4" Headrail Depth: For narrow mounts

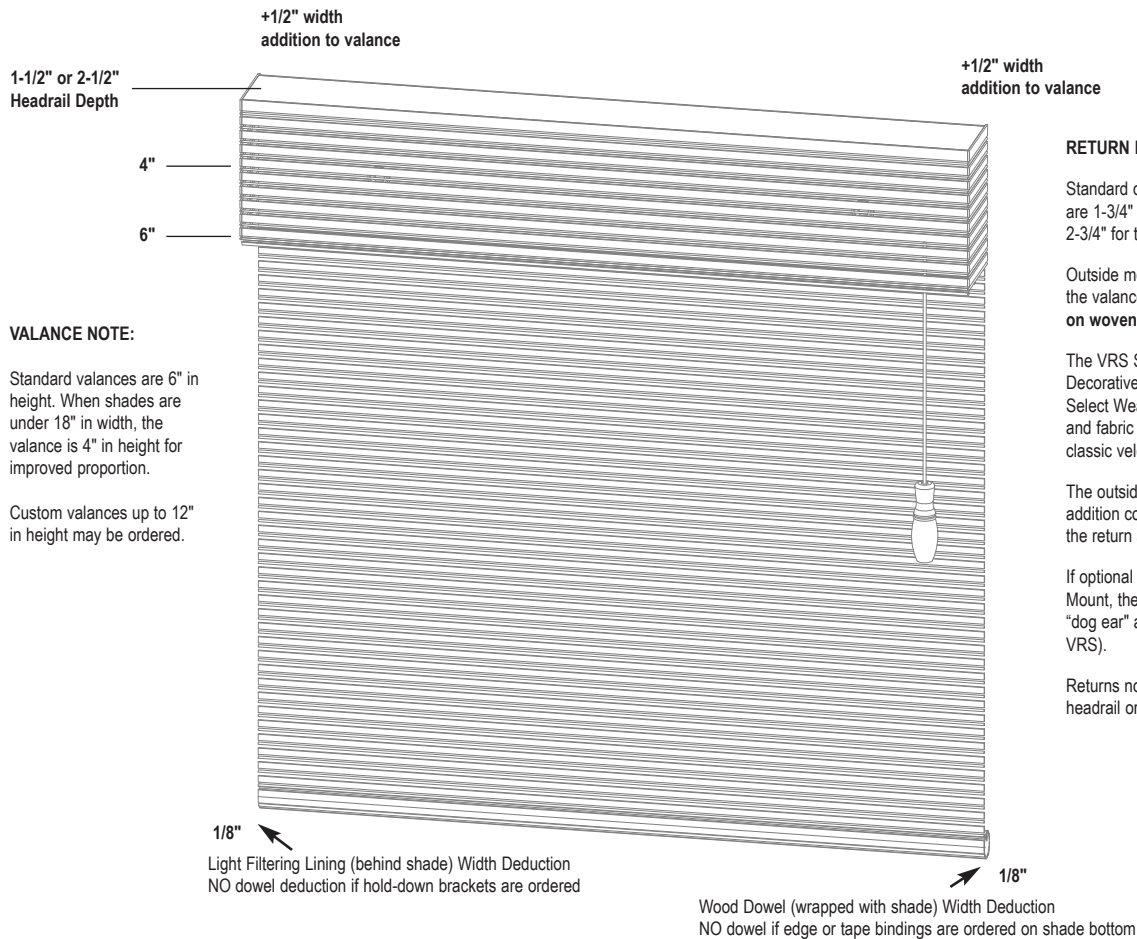


### OUTSIDE MOUNT (& CEILING MOUNT) VALANCE WIDTH ADDITIONS FOR:

**Standard, Top-Down/Bottom-Up & Somfy Automation Shades** ( see next pages for Continuous Loop Control Shades)

A small width addition is made to the valance to create a "cornice style" box for approved appearance & shade operation/stacking.

Valance Width ADDITION = +1/2 "PER SIDE = +1" Total



#### VALANCE NOTE:

Standard valances are 6" in height. When shades are under 18" in width, the valance is 4" in height for improved proportion.

Custom valances up to 12" in height may be ordered.

#### RETURN NOTES:

Standard outside mount return depths are 1-3/4" for the small headrail and 2-3/4" for the large headrail.

Outside mount returns are attached to the valance using the **VRS SYSTEM** on woven wood only.

The VRS System is NOT featured on Decorative Wovens (Grass Weaves & Select Weaves) due to the sheerness and fabric weight. Returns will use the classic velcro for attachment.

The outside mount valance width addition covers the front facing edge of the return and creates a clean corner.

If optional returns are ordered on an IB Mount, they will use the classic velcro "dog ear" attachment method (not VRS).

Returns not available on turned headrail or 3/4" headrail shades.

## VALANCE RETURN STABILIZER (VRS) SYSTEM



Outside mount shade valances come with the innovative Valance Return Stabilizers (VRS) System. The VRS System includes clear corner pieces and are attached to the valance and returns, keeping them stable and in perfect alignment. The valance also covers the front edge of the returns. A tiny spring mechanism in each VRS keeps the valance hanging straight down off the headrail, while also allowing you to raise the valance for installing the shade and for periodic dusting/cleaning underneath.

**Not Available on Decorative Wovens (Grass Weaves and Select Weaves). Returns with velcro are available under Decorative Wovens.**

## LIMITED LENGTH ADJUSTER



Woven Wood shade configurations that have a bottom dowel will include a Limited Length Adjuster. Shades that have an edge-binding or tape-binding on the bottom will NOT include the adjuster. The Limited Length Adjuster allows up to a 1" shade height reduction (depending upon the dowel size and woven material). It works by simply SLIDING UP the Adjuster on each side of the shade which in turn rolls the dowel up. This is an innovative solution to adjust for some woven shade stretching, which may occur to some extent over time with all woven wood materials.

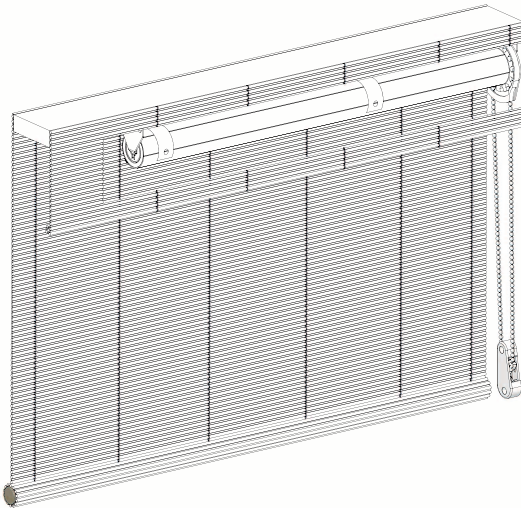
**Not Available on Decorative Wovens**

# CONTINUOUS LOOP CONTROL SHADE DIAGRAM

## INSIDE MOUNT WIDTH DEDUCTIONS FOR: Continuous Loop Control Shades

Minor adjustments are made to the standard IB width deductions for Continuous Loop Control shades to improve the loop control operation. These adjustments allow the loop control and safety tensioner to be shifted toward the outside edge of the shade.

Headrail & Valance Width DEDUCTION = **-1/4" (STANDARD) IB WIDTH DEDUCTION ON BOTH SIDES = -1/2" Total**  
Shade Panel Width DEDUCTION = **-1/4" (ADJUSTED) IB WIDTH DEDUCTION ON BOTH SIDES = -1/2" Total**

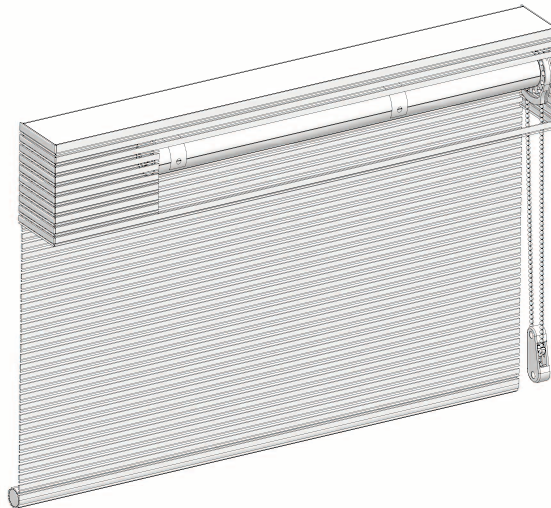


**standard - 1/4" IB width deduction to headrail, fabric and valance ON BOTH SIDES**

## OUTSIDE MOUNT (& CEILING MOUNT) WIDTH ADDITIONS FOR: Continuous Loop Control Shades

Minor adjustments are made to the standard OB width additions for loop control shades to improve the loop control operation. These adjustments allow the loop control, chain and safety tensioner to be shifted toward the outside edge of the shade.

Headrail Width ADDITION = **+1/4" ON BOTH SIDES = +1/2" Total**  
Valance Width ADDITION = **+3/4" ON BOTH SIDES = +1-1/2" Total**



**adjusted +1/4" OB width addition to headrail ON BOTH SIDES**

**adjusted +3/4" OB width addition to valance ON BOTH SIDES**

NOTE: The adjusted OB width additions to the headrail (+1/4" on each side) allow clearance for the loop control and safety tensioner.

Valance and returns attach with the VRS system (Woven Woods only) which then adds the (standard) +1/2" beyond the headrail width on each side.

## CONTINUOUS LOOP CONTROL SYSTEM - MOUNTING AND WIDTH ADJUSTMENTS NOTES

Continuous Loop Control Systems offer manually operated clutch mechanisms for raising and lowering shades. By simply putting on one side of the loop, shades can be quickly and precisely positioned. Left or Right side control positions may be specified.

Continuous Loop Control shades are installed with special L-shaped (small roller shade cassette headrail style) mounting brackets, which snap into a flat, custom fit connector pre-attached to the headrail. This loop control bracket system allows the loop control mechanism to be shifted to the very edge of the headrail so that the loop is shifted toward the edge of the shade, rather than hanging in front of the shade. The width adjustments made on the loop control side allow the cord loop to hang straight down to the required, mounted safety tensioner and clear the edge of the woven material.

NOTE: There is a likelihood where cord will rub against the edge of the shade. Hence, edge binding is highly recommended.

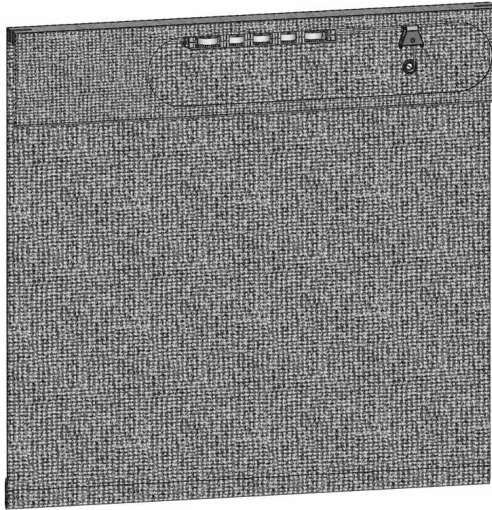


# CORDLESS BREEZE SHADE DIAGRAM

Cordless Breeze shades can be built on small 1-1/2" and/or large 2-1/2" depth headrail depending on shade material and size.

## INSIDE MOUNT WIDTH DEDUCTIONS FOR: CORDLESS BREEZE

Headrail & Valance Width DEDUCTION = -1/4" (STANDARD) IB WIDTH DEDUCTION ON BOTH SIDES = -1/2" Total



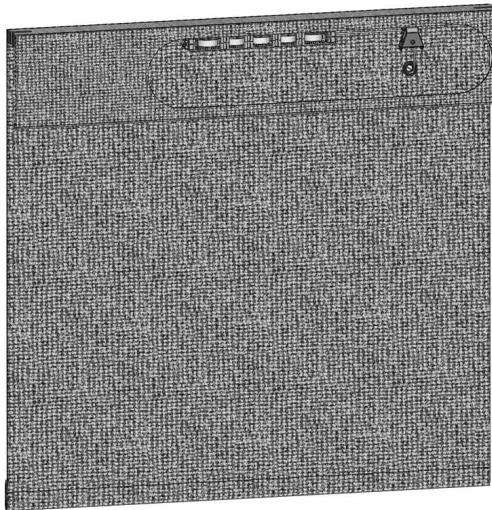
standard -1/4" IB width deduction to headrail, fabric and valance ON BOTH SIDES



## OUTSIDE MOUNT AND CEILING MOUNT WIDTH ADDITIONS FOR: CORDLESS BREEZE

Headrail Width ADDITION = +1/4" ON BOTH SIDES = +1/2" Total

Valance Width ADDITION = +3/4" ON BOTH SIDES = +1-1/2" Total



adjusted +1/4" OB width addition to headrail ON BOTH SIDES

adjusted +3/4" OB width addition to valance ON BOTH SIDES

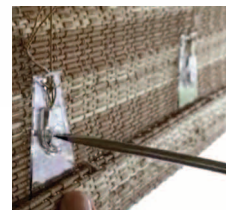
NOTE: The adjusted OB width additions to the headrail (+1/4" on each side).

Valance and returns attach with the VRS system (Woven Woods only) which then adds the (standard) +1/2" beyond the headrail width on each side.

## **LIMITED LENGTH ADJUSTER**

Woven Wood Cordless Breeze shade without edge-binding will have a limited length adjuster. Insert a phillips screwdriver into the adjuster. Turn left to shorten and right to lengthen.

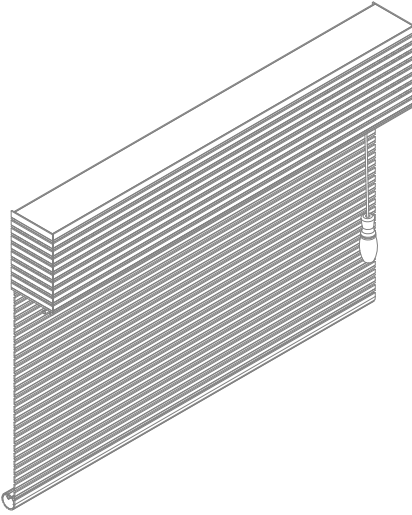
This is a solution to allow limited adjustment for some woven shade stretching, which may occur to some extent over time with all woven wood materials.



# SHADE CONFIGURATION OPTIONS

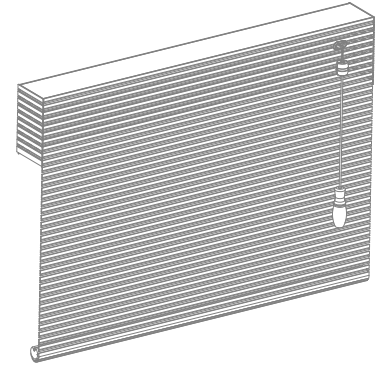
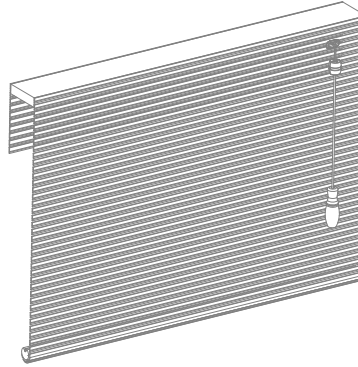
## STANDARD RECTANGULAR

- Returns standard on outside mount
- Returns for inside mount available upon request
- Valance is 6" long (4" for shades under 18" wide)
- Built on 1-1/2" depth headrail (unless 3/4" or 2 1/2" headrail is specified)
- Available with Automation (on 2-1/2" headrails)
- Shade Size over 72 Sq.ft. must be made as 2 or 3 on 1 whether it's bottom up, or top down bottom up.



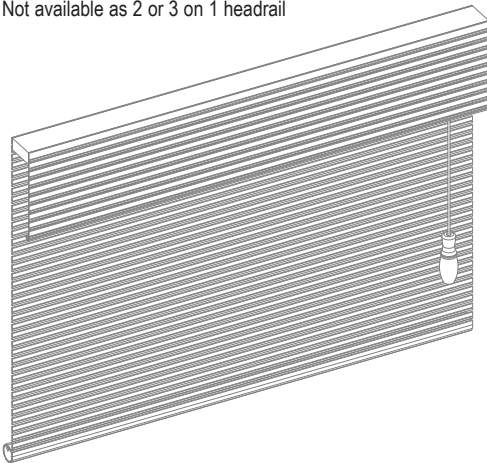
## WATERFALL STYLE (FRONT-SIDE SHADE)

- Valance will include liner when liner is ordered with shade
- Front side cord with grommet (unless rear cord is specified)
- Built on 1-1/2" depth headrail unless specified for standard cord lock
- Available with Automation (on 2-1/2" headrails)
- Continuous Loop Control is not available under waterfall
- Returns standard on outside mount
- IB mount will have a back valance
- OB mount will not have a back valance



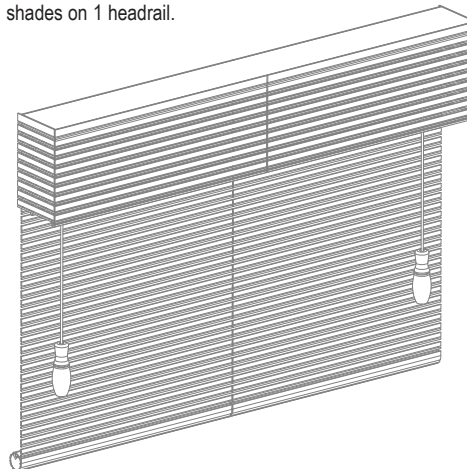
## 3/4" HEADRAIL (FOR NARROW DEPTH MOUNTS ONLY)

- Available with standard or waterfall style only
- Returns are not available
- No valance width addition for outside mount
- Shade mounts with screws only, not brackets
- Mounting holes pre-drilled in headrail
- Not available as 2 or 3 on 1 headrail



## 2 OR 3 ON 1 HEADRAIL

- Standard, waterfall & top-down/bottom-up
- Cordless Breeze and automation shades are available under bottom up in 2 or 3 on 1.
- Standard Cordlock and Continuous Loop Control - controls default to outer edges. Left panel, left control. Right panel, right control.
- Valance split at shade gap if over 96" wide
- Built on 1-1/2" and 2-1/2" depth headrails (see configurations)
- 2 on 1 TDBU shades that are larger than 96" in width are built on 2-1/2" headrail
- 2 on 1 valance for most Grass Weaves is continuous up to 72" wide and 96" with center seam. Select Weaves have a continuous valance up to 96" wide. Over 96" requires valance to be spliced at the shade gap between the individual panels.
- Woven vertical "thread patterns" on the valance may not align to thread patterns on multiple shades on 1 headrail.

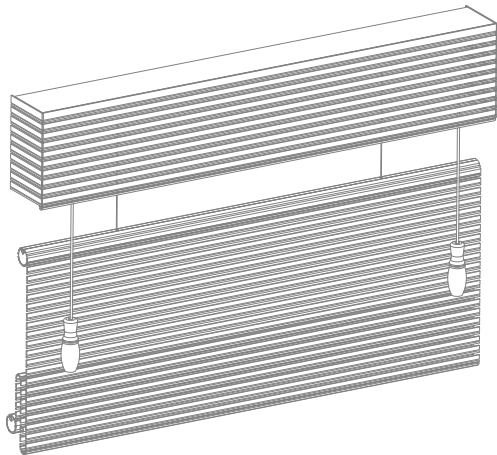


Note: We cannot guarantee fabric alignment on side-by-side shades.

## SHADE CONFIGURATION OPTIONS

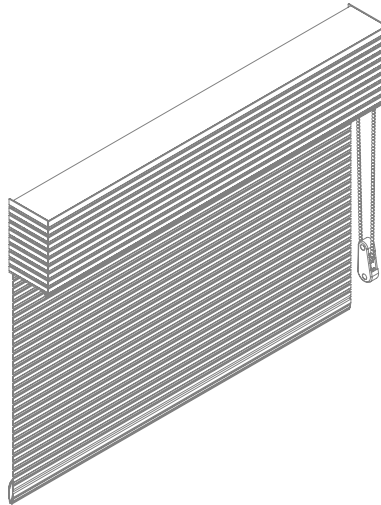
### TOP-DOWN/BOTTOM-UP (TDBU)

- Standard control position for TDBU, Right control operates the middle rail, and left control operates the bottom rail.
- Returns standard on outside mount
- Valance will include a liner when liner is ordered with the shade
- Top-Down/Bottom-Up shades are built on 1-1/2" depth headrail and only available with cord lock.
- Not available with Waterfall style



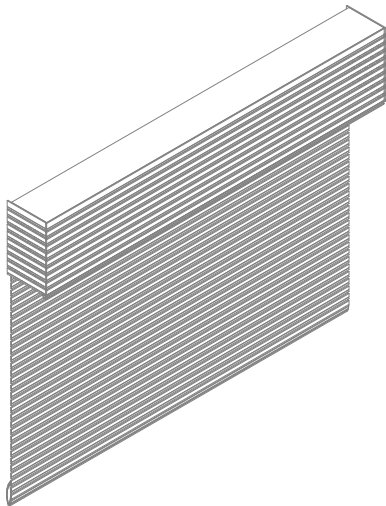
### CONTINUOUS LOOP CONTROL

- Available with Standard Rectangular style only.
- Built on 2-1/2" depth headrail only
- Available as 2 on 1 headrail (not 3 on 1 headrail)
- Not available with top-down/bottom-up
- Note: inside and outside mount width adjustments
- Shade Size over 72 Sq.ft. must be made as 2 on 1
- Must install tensioner for child safety
- Cord may rub against side of the shade during operation. **Edge binding** is highly recommended.



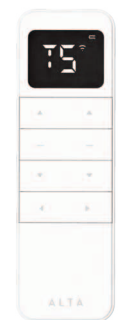
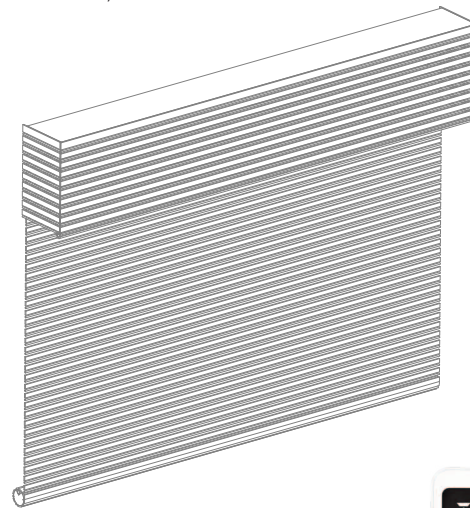
### CORDLESS BREEZE

- Cordless Breeze can be built on 1-1/2" and/or 2-1/2" depth headrail depending on shade material and size.
- Available in standard rectangular style & waterfall
- Available as 2 on 1 and 3 on 1 headrail
- Available with fixed liners
- Available with twill edge and faux silk bindings – valance sides & shade sides only
- Hold down is not available under this option



### BLISS & SOMFY AUTOMATION

- Automated control options available
- Built on 2-1/2" depth headrail only
- Available with waterfall style
- Bliss Automation and Somfy Automation available with 2 or 3-on-1 headrail.
- Not available with top-down/bottom-up
- 2 or 3-on-1 shades require one motor per panel (see "Automation" section for surcharge information).





## EDGE BINDING FEATURES

- The Natural Woven program offers faux silk and twill edge binding options to protect the shade's edges during operation and over time. A variety of colors are available based on individual design preference.
- Bindings are sewn to the woven material for durability, structure, and a cleaner appearance.
- Under Continuous Loop Control, edge binding is highly recommended.
- Refer to color charts for availability under faux silk or twill edge bindings.
- Not available on all woven materials – see color charts for availability.
- Available on all woven shade configurations.



Faux Silk Bindings



5/8" Twill Edge Binding

## EDGE BINDING FABRIC LIST

Color Name	5/8" Twill Tape	1 1/2" Twill Tape	1" Faux Silk	Fabric Collection Availability
White	CT400	-	-	Woven Woods, Grass Weaves, Select Weaves
Natural	CT402	CT802	-	Woven Woods, Grass Weaves, Select Weaves
Duck	CT403	-	-	Woven Woods, Grass Weaves, Select Weaves
Latte	CT404	-	-	Woven Woods, Grass Weaves, Select Weaves
Dusk	CT405	CT805	-	Woven Woods, Grass Weaves, Select Weaves
Jute	CT409	-	-	Woven Woods, Grass Weaves, Select Weaves
Mocha	CT417	CT817	-	Woven Woods, Grass Weaves, Select Weaves
Chocolate	CT418	CT818	-	Woven Woods, Grass Weaves, Select Weaves
Silver	CT420	-	-	Woven Woods, Grass Weaves, Select Weaves
Steel	CT421	CT821	-	Woven Woods, Grass Weaves, Select Weaves
Black	CT424	CT824	-	Woven Woods, Grass Weaves, Select Weaves
Optic	-	-	FT550	Grass Weaves, Select Weaves
Cashmere	-	-	FT551	Grass Weaves, Select Weaves
Bubbly	-	-	FT554	Grass Weaves, Select Weaves
Natural	-	-	FT557	Grass Weaves, Select Weaves
Sand	-	-	FT562	Grass Weaves, Select Weaves
Jute	-	-	FT565	Grass Weaves, Select Weaves
Oyster	-	-	FT573	Grass Weaves, Select Weaves
Smoke	-	-	FT574	Grass Weaves, Select Weaves

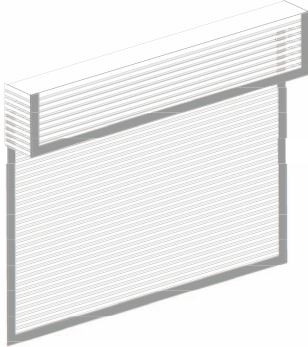
NOTE: Corners on shades with faux silk bindings on the side and bottom are mitered, providing a high-end drapery workroom look.

NOTE: Corners on shades with twill edge bindings are not mitered.

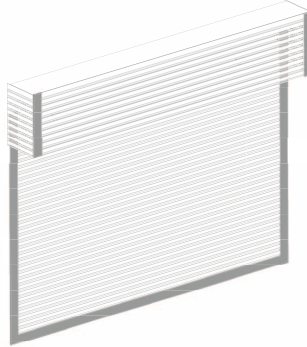
## EDGE BINDING UPGRADES

AVAILABLE IN FAUX SILK BINDING OR TWILL TAPE DEPENDING ON FABRIC SELECTION

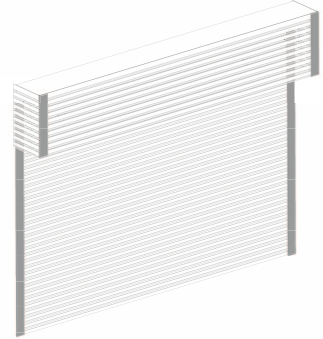
**FAUX SILK BINDING OPTION (EFO)**  
**EDGE TAPE OPTION (ETO)**  
 Shade and valance sides and bottom  
 available in all configurations



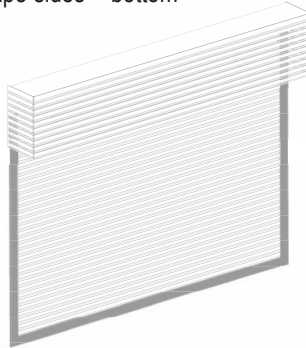
**ESVB\***  
 Faux silk binding sides + bottom + valance sides  
**TSVB\***  
 Twill tape sides + bottom + valance sides



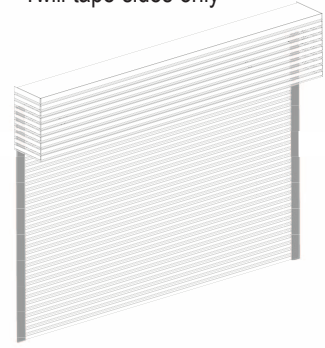
**ES\***  
 Faux silk binding sides + valance sides  
**TS\***  
 Twill tape sides + valance sides



**ESB**  
 Faux silk binding sides + bottom  
**TSB**  
 Twill tape sides + bottom



**ESO**  
 Faux silk binding sides only  
**TSO**  
 Twill tape sides only

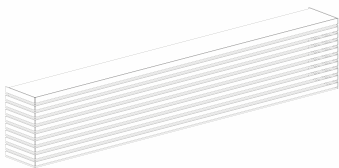


NOTE: Valance returns do not include bindings. They are comprised of Decorative Woven material only.

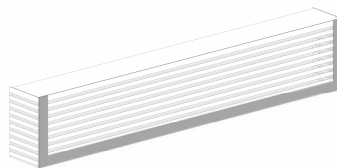
\*Only ESVB, TSVB, ES, & TS binding configurations are available under materials that require binding. If the shade is ordered as Cordless Breeze, only the ES & TS binding configurations are available..

## VALANCE UPGRADES

**INDIVIDUAL VALANCE**  
 Large 2 1/2" depth headrail  
 Returns standard on outside mount only  
 Valance without headrail uses velcro



**EVSB**  
 Faux silk VALANCE sides + bottom  
 (binding not on returns)  
**TVSB**  
 Twill tape valance sides + bottom  
 (binding not on returns)



**EVSO**  
 Faux silk valance sides only  
 (binding not on returns)  
**TVSO**  
 Twill tape valance sides only  
 (binding not on returns)



## FIXED LINING OPTIONS

### Features

- Fixed liners are physically attached to the back of the woven shade and operate in unison for optimal privacy and light control.
- Available on ALL woven shade configurations.
- Fixed liners are neutral white to the outside. Reversed liners (i.e. colored to the outside and white to the inside) must be specified when ordering.
- When liner is selected, both shade and valance will come with liner.

**Front & Back View**



**Back View with Binding**



## FIXED LINING

Family	Color #	Color Name
Light Filtering	LF-1011	Snow
Light Filtering	LF-1012	Ecru
Light Filtering	LF-1013	Cool Tan
Light Filtering	LF-1014	Buff
Light Filtering	LF-1015	Smoke
Room Darkening	RD-1011	Snow
Room Darkening	RD-1012	Ecru
Room Darkening	RD-1013	Cool Tan
Room Darkening	RD-1014	Buff
Room Darkening	RD-1015	Smoke

Note: Fixed lining is attached to the back of the shade. Small slits are made in the lining at the ring cord-guide attachment locations. When Faux Silk or Twill Edge-Bindings are also ordered, the lining will be sewn under the binding.

When liner is desired, material with open weaves using a darker liner (facing the woven material) is recommended to prevent reflection under artificial light.

- Adding a liner to the back of the shade may make the color hue within the material appear stronger and more vivid.

- Sewing pin holes may be visible. Light may be visible through the pin holes.

- Room Darkening patches will be used in all operating systems to minimize visible pin holes. The patches will be placed on every ring to cover the stitches of the needle.

- Room Darkening patches are not available with reverse liner.

- Room Darkening Patches come in white only.

## FEATURE AND BENEFIT

### WOVEN WOODS, SELECT WEAVES, AND GRASS WEAVES

Shade Features		
Headrail Depth	(1)	¾", 1½" or 2½"
Bracket Style (for each headrail size above)	(2)	L-Shaped
Swivel Multi Cord Lock & Pulley		Yes
Woven Valance	(3)	Yes
Valance Returns (Standard on OB)	(4)	Yes
Color-Coordinated Lift Cords		Yes
Color-Coordinated Decorative Wood Tassel		Yes
Color-Coordinated Cord Connector		Yes
Color-Coordinated Cord Tensioner		Yes
Warranty		Lifetime Limited

Shade Configuration Options		
Faux Silk Bindings (not available on all patterns)		Yes
Light Filtering Linings (Fixed)		Yes
Room Darkening Linings (Fixed)		Yes
Continuous Loop Control Shade	(5)	Yes
Cordless Breeze Shade		Yes
Top-Down/Bottom-Up (TDBU) with standard cordlock	(6)	Yes
Waterfall Style	(7)	Yes
Bliss & Somfy Automation		Yes
2 or 3 On 1 Headrail	(8)	Yes
¾" Headrail (for extra shallow mounts)		Yes
Custom Valance Heights & Return Depths	(3)	Yes

Other Options		
Individual Valances	(3)	Yes
Cut-Outs (max size 3"x8" on L or R shade bottom)	(9)	Yes
Specialty Shapes		No
Control Positions		L or R
Ceiling Mount (Flat) Brackets	(2)	Yes
Hold Down Brackets (Not available with Grass Weave or Select Weave)		Yes
Spacer Blocks; ¾"		Yes
Extension Brackets; 2½" and 4½"		Yes
Cord Cleats (Comes with Standard Cordlock and TDBU)		Yes

**Please Note:** fabric alignment on side-by-side shades cannot be guaranteed.

FEATURE & OPTION NOTES:
<ol style="list-style-type: none"> <li>1. Continuous Loop Control shades, Automation shades and Individual Valances are only made with the larger 2½" depth headrail.</li> <li>2. Wider shades may also come with ceiling mount bracket(s) used</li> <li>3. Custom shade valance heights may be specified to 12".</li> <li>4. Returns standard on OB shades and valance orders ONLY, unless specified. Return widths are 1¾" (for small HR) and 2¾" (for large HR).</li> <li>5. Chain may rub against Continuous Loop Control shade, edge binding is highly recommended.</li> <li>6. TDBU shades require an EXTRA LONG lift cord and come with a CORD CLEAT to wrap excess cord. These shades are built on 1½" depth headrail. For 2-on-1 and 3-on-1 TDBU shades</li> <li>7. Waterfall-Style shades may be motorized. They are not available in Top-Down/Bottom-Up.</li> <li>8. Widths over 96" will always receive a spliced valance split at the shade gap. There is a ½" gap between individual shades. Cordless Breeze, and motorized shades are available with 2 &amp; 3-on-1 headrail. Cordlock &amp; Continuous Loop Control are only available with 2-on-1 (control will reside at outer ends). All 2 &amp; 3-on-1 shades are built on 2½" depth headrail.</li> <li>9. Cut-Out maximum size is 3" x 8" and only available on the Left or Right bottom corner of the shade. Cut-Outs are NOT available when Edge-Binding, Twill Edge-Binding or Faux Silk Binding is ordered, or on Cordless Breeze shades.</li> </ol>

Continuous Loop Control Chart (CLC)	
Shade Height	Chain Loop Length
12" to 15⅞"	⅔ of shade height
16" to 29⅞"	¾ of shade height
30" - 35⅞"	24"
36" - 41⅞"	30"
42" - 47⅞"	36"
48" - 53⅞"	42"
54" - 59⅞"	48"
60" - 65⅞"	54"
66" - 71⅞"	60"
72" - 77⅞"	66"
78" - 89⅞"	72"
90" - 101⅞"	84"
102" - 113⅞"	96"
114 - above	¾ of the shade height

Stacking Chart	
Shade Height	Stack Height
24"	6" - 7"
36"	6" - 8"
48"	8" - 9"
60"	8" - 10"
72"	8" - 10"
84"	9" - 12"
96"	9" - 12"
108"	10" - 13"
120"	10" - 13"

NOTE: These are stacking averages for standard shades. Actual heights may vary + or - 1". Stacking heights for loop control and bindings add approximately 1" more (each).

## SIZE SPECIFICATIONS

Control	Min/Max Size Per Panel (Net)	Woven Wood	Grass Weaves	Select Weaves
Standard Cordlock	Min. Width	10"	12"	12"
	Max. Width	96"	72"/96" *	96"/120" **
	Min. Height	12"	12"	12"
	Max. Height	108" ***	108"	120"
Waterfall Cordlock	Min. Width	10"	12"	12"
	Max. Width	96"	72"/96" *	96"/120" **
	Min. Height	12"	12"	12"
	Max. Height	108" ***	108"	120"
TDBU Cordlock	Min. Width	10"	12"	12"
	Max. Width	96"	48"	72"
	Min. Height	12"	12"	12"
	Max. Height	108" ***	108"	72"
2-on-1 Headrail Cordlock	Min. Width	10" per panel / 20½" overall	12" per panel / 24½" overall	12" per panel / 24½" overall
	Max. Width	96" per panel / 144" overall	72"/96" * per panel / 144" overall	96"/120" ** per panel / 144" overall
	Min. Height	12"	12"	12"
	Max. Height	108" ***	108"	120" *****
Continous Loop Control	Min. Width	10"	10"	10"
	Max. Width	96"	96" / 120" *	120" **
	Min. Height	12"	12"	12"
	Max. Height	144" ***	144"	144" *****
2-on-1 Headrail Continous Loop Control	Min. Width	10" per panel / 20" overall	10" per panel / 20" overall	10" per panel / 20" overall
	Max. Width	96" per panel / 144" overall ****	96"/120" per panel ** / 144" overall ****	120" per panel ** / 144" overall ****
	Min. Height	12"	12"	12"
	Max. Height	144" ****/*****	144" *****	144" *****
Cordless Breeze	Min. Width	16½"	16½"	16½"
	Max. Width	84"	72"	72"
	Min. Height	20"	20"	20"
	Max. Height	72"/84" ****	84"	84"
2-on-1 Cordless Breeze	Min. Width	16½" per panel / 33" overall	16½" per panel / 33" overall	16½" per panel / 33" overall
	Max. Width	84" per panel / 120" overall	72" per panel / 120" overall	72" per panel / 120" overall
	Min. Height	20"	20"	20"
	Max. Height	84" ****	84"	84"
3-on-1 Cordless Breeze	Min. Width	16½" per panel / 52½" overall	16½" per panel / 52½" overall	16½" per panel / 52½" overall
	Max. Width	84" per panel / 120" overall	72" per panel / 120" overall	72" per panel / 120" overall
	Min. Height	20"	20"	20"
	Max. Height	84" ****	84"	84"

\*Most patterns are available up to 96" with a center seam. Some shades over 72" wide will come standard at no additional charge with 1 seam placed in the center of the shade with the exception noted below. See Color Chart for additional details.

\*\*Celebes Collection can only go up to 96" in width. Not available with seam. Salvador Collection is available in widths up to 120" with a seam.

\*\*\*Zee Gray and Zee White can only go up to 96" in height.

\*\*\*\*Some Woven Wood materials with cordless lift have a max height of 72". See "Cordless Specifications: Headrail & Size" for details.

\*\*\*\*\*The 2 on 1 valance is continuous up to 96" wide. Over 96" require valance to be spliced at the shade gap between the individual panels.

\*\*\*\*\*Max SQFT limit varies.

# SIZE SPECIFICATIONS

## BLISS MOTORIZATION

	Bliss™ 1.1 DC	Bliss™ 1.1 Li-Ion	Bliss™ 2.0 Li-Ion
<b>MINIMUM WIDTH (NET)</b>			
Single Shade	18"	23"	35"
2-on-1 Shade	36"	46"	70½"
3-on-1 Shade	54"	69"	106"
<b>MAXIMUM WIDTH (WITHIN MAX AREA LIMIT)</b>			
Single Shade	96"	96"	96"
2-on-1 Per Panel	96"	96"	96"
3-on-1 Per Panel	84"	74"	73"
Overall (2 or 3-on-1)	120"	120"	144"
<b>MINIMUM HEIGHT</b>	12"	12"	12"
<b>MAXIMUM HEIGHT</b>	144"	144"	96"

**Due to its construction, Celebes collection is not available with Automation.**

Maximum area varies. Refer to Maximum Motorization Area under Size Specification section for details

## SOMFY MOTORIZATION

	Sonesse® 28 WireFree™ RTS DC Sonesse® 28 WireFree™ ZigBee DC	Sonesse® 28 WireFree™ RTS Li-Ion Sonesse® 28 WireFree™ ZigBee Li-Ion	Sonesse® ULTRA 30 WireFree™ RTS Li-Ion Sonesse® ULTRA 30 WireFree™ ZigBee Li-Ion	Sonesse® 30 RTS 24v DC
<b>MINIMUM WIDTH (NET)</b>				
Single Shade	18"	27"	31"	23"
2-on-1 Shade	36"	54"	62"	46"
3-on-1 Shade	54"	81"	93"	69"
<b>MAXIMUM WIDTH (WITHIN MAX AREA LIMIT)</b>				
Single Shade	96"	96"	96"	96"*
2-on-1 Per Panel	96"	93"	96"	120"
3-on-1 Per Panel	84"	66"	82"	120"
Overall (2 or 3-on-1)	120"	120"	144"	144"
<b>MINIMUM HEIGHT</b>	12"	12"	12"	12"
<b>MAXIMUM HEIGHT</b>	144"	144"	144"	144"

\*120" Salvador Collection

**Due to its construction, Celebes collection is not available with Automation.**

Maximum area varies. Refer to Maximum Motorization Area under Size Specification section for details



## CORDLESS SPECIFICATIONS: HEADRAIL & SIZE

- See charts below on the headrail depth default
- 1-1/2" depth headrail is available with Cordless Breeze under most of the materials when order width is 32" or less, see charts below for detail.

WOVEN WOOD		CORDLESS BREEZE							
Code	Color Name	1 1/2" Small Headrail (Order Width ≤ 32")	2 1/2" Large Headrail	Min. Width (single)	Min. Width (2-on-1)	Min. Width (3-on-1)	Max. Width	Min. Height	Max. Height
CUL-2085	Antigua Maze	N/A	Default	16 1/2"	33"	49 1/2"	84" per panel 120" (2-on-1 & 3-on-1)	20"	84"
CUL-2547	Antigua Oyster	N/A							
CUL-2086	Antigua Surf	N/A							
CUL-2157	Banjar Artisan	N/A							
CUL-2545	Banjar Cool Gray	Default	Optional						
CUL-2546	Banjar Ivory	Default							
CUL-2552	Bimini Gray	Default							
CUL-2108	Bimini Walnut	N/A	Default						
CUL-2548	Bimini White	N/A							
TER-2550	Hi-Lo Pebble	N/A							
TER-2210	Hi-Lo White	Default	Optional						
TER-2551	Kano Eggshell	N/A							
TER-2110	Kano Greywood	N/A	Default						
TER-2540	Kano Rhino	N/A							
ELI-2104	Nagoya Harvest	Default	Optional						
CUL-5100	Portsmouth Cove	Default							
EXO-2542	Serengeti Light Gray	Default							
EXO-2543	Serengeti Ombré Gray	Default							
EXO-2052	Serengeti Sunrise	Default							
EXO-2232	Serengeti Taos	Default							
EXO-2541	Serengeti White	Default							
EXO-5000	Sumatra Slate	Default							
EXO-2150	Sumatra Surprise	Default							
EXO-5001	Sumatra Twilight	Default							

WOVEN WOOD		CORDLESS BREEZE							
Code	Color Name	1 1/2" Small Headrail (Order Width ≤ 32")	2 1/2" Large Headrail	Min. Width (single)	Min. Width (2-on-1)	Min. Width (3-on-1)	Max. Width	Min. Height	Max. Height
TER-2057	Ensenada Negro	N/A	Default	16 1/2"	33"	49 1/2"	84" per panel 120" (2-on-1 & 3-on-1)	20"	72"
TER-2078	Ensenada Tranquil								
ELI-2549	Honduras Gray								
ELI-2084	Honduras Rust								
ELI-2083	Honduras Timbre								
CUL-2223	Mesa Mocha								
CUL-2061	Saba Dusk								
CUL-2060	Saba Sunset								
ELI-2059	Veracruz Earth								
ELI-2080	Veracruz Mocha								
ELI-2544	Veracruz White								
TER-2234	Zee Gray								
TER-2237	Zee White								

SELECT WEAVE		CORDLESS BREEZE							
Code	Color Name	1 1/2" Small Headrail (Order Width ≤ 32")	2 1/2" Large Headrail	Min. Width (single)	Min. Width (2-on-1)	Min. Width (3-on-1)	Max. Width	Min. Height	Max. Height
SLW-2537	Cancun Shell	Default	Optional	16 1/2"	33"	49 1/2"	72" per panel 120" (2-on-1 & 3-on-1)	20"	84"
SLW-2528	Cancun White								
SLW-2529	Cano Cream								
SLW-2539	Cano White								
SLW-3000	Caspian Frost								
SLW-2535	Mali Oyster								
SLW-2423	Mali Tan								
SLW-2534	Mali White								
SLW-2531	Rio Gray								
SLW-2536	Rio White								
SLW-2526	Salvador Driftwood								
SLW-2524	Salvador Mirage								
SLW-2525	Salvador Pistachio								
SLW-2532	Sintra Cream								
SLW-2433	Sintra Dust								
SLW-2533	Sintra Sage								
SLW-2445	Tunisia Gray								
SLW-2441	Tunisia Ivory								

GRASS WEAVE		CORDLESS BREEZE							
Code	Color Name	1 1/2" Small Headrail (Order Width ≤ 32")	2 1/2" Large Headrail	Min. Width (single)	Min. Width (2-on-1)	Min. Width (3-on-1)	Max. Width	Min. Height	Max. Height
GRW-9476	Celebes Ivory	Default	Optional	16 1/2"	33"	49 1/2"	72" per panel 120" (2-on-1 & 3-on-1)	20"	84"
GRW-9475	Celebes Seashell								
GRW-2311	Granada Ginger								
GRW-2349	Kokomo Gravel								
GRW-2348	Kokomo Gray								
GRW-2350	Kokomo Taupe								
GRW-2324	Luzon Cornsilk								
GRW-2325	Luzon Greige								
GRW-2323	Luzon Whisper								
GRW-2339	Singapore Cotton								
GRW-2338	Singapore Talc								

# CONTINUOUS LOOP CONTROL SIZE SPECIFICATIONS: MAXIMUM AREA

WOVEN WOOD		Continuous Cord Loop	
Code	Color Name	Maximum Shade Size Without Liner	Maximum Shade Size with Liner (single)
CUL-2547	Antigua Oyster	70 SQF	50 SQF
CUL-2086	Antigua Surf	70 SQF	40 SQF
CUL-2157	Banjar Artisan	70 SQF	40 SQF
CUL-2545	Banjar Cool Gray	72 SQF	50 SQF
CUL-2546	Banjar Ivory	70 SQF	50 SQF
CUL-2552	Bimini Gray	50 SQF	30 SQF
CUL-2108	Bimini Walnut	50 SQF	30 SQF
CUL-2548	Bimini White	50 SQF	30 SQF
TER-2057	Ensenada Negro	40 SQF	30 SQF
TER-2078	Ensenada Tranquil	40 SQF	25 SQF
TER-2550	Hi-Lo Pebble	70 SQF	50 SQF
TER-2210	Hi-Lo White	70 SQF	50 SQF
ELI-2549	Honduras Gray	50 SQF	30 SQF
ELI-2084	Honduras Rust	30 SQF	20 SQF
ELI-2083	Honduras Timbre	30 SQF	20 SQF
TER-2551	Kano Eggshell	70 SQF	50 SQF
TER-2110	Kano Greywood	70 SQF	40 SQF
TER-2540	Kano Rhino	70 SQF	40 SQF
CUL-2223	Mesa Mocha	40 SQF	30 SQF
ELI-2104	Nagoya Harvest	72 SQF	72 SQF
CUL-5100	Portsmouth Cove	70 SQF	40 SQF
CUL-2061	Saba Dusk	50 SQF	30 SQF
CUL-2060	Saba Sunset	40 SQF	25 SQF
EXO-2542	Serengeti Light Gray	72 SQF	72 SQF
EXO-2543	Serengeti Ombré Gray	72 SQF	50 SQF
EXO-2052	Serengeti Sunrise	72 SQF	70 SQF
EXO-2232	Serengeti Taos	72 SQF	60 SQF
EXO-2541	Serengeti White	72 SQF	72 SQF
EXO-5000	Sumatra Slate	72 SQF	72 SQF
EXO-2150	Sumatra Surprise	72 SQF	70 SQF
EXO-5001	Sumatra Twilight	72 SQF	72 SQF
ELI-2059	Veracruz Earth	30 SQF	20 SQF
ELI-2080	Veracruz Mocha	30 SQF	25 SQF
ELI-2544	Veracruz White	50 SQF	30 SQF
TER-2234	Zee Gray	50 SQF	30 SQF
TER-2237	Zee White	50 SQF	30 SQF

SELECT WEAVE		Continuous Cord Loop	
Code	Color Name	Maximum Shade Size Without Liner	Maximum Shade Size with Liner (single)
SLW-2537	Cancun Shell	72 SQF	72 SQF
SLW-2538	Cancun White	72 SQF	60 SQF
SLW-2529	Cano Cream	72 SQF	72 SQF
SLW-2539	Cano White	72 SQF	70 SQF
SLW-3000	Caspian Frost	72 SQF	50 SQF
SLW-2535	Mali Oyster	72 SQF	72 SQF
SLW-2423	Mali Tan		
SLW-2534	Mali White		
SLW-2531	Rio Gray		
SLW-2536	Rio White		
SLW-2526	Salvador Driftwood		
SLW-2524	Salvador Mirage		
SLW-2525	Salvador Pistachio		
SLW-2532	Sintra Cream		
SLW-2433	Sintra Dust		
SLW-2533	Sintra Sage		
SLW-2445	Tunisia Gray		
SLW-2441	Tunisia Ivory		

GRASS WEAVE		Continuous Cord Loop	
Code	Color Name	Maximum Shade Size Without Liner	Maximum Shade Size with Liner (single)
GRW-2311	Granada Ginger	72 SQF	72 SQF
GRW-2349	Kokomo Gravel		
GRW-2348	Kokomo Gray		
GRW-2350	Kokomo Taupe		
GRW-2324	Luzon Cornsilk		
GRW-2325	Luzon Greige		
GRW-2323	Luzon Whisper		
GRW-2339	Singapore Cotton		
GRW-2338	Singapore Talc		
GRW-9476	Celebes Ivory		
GRW-9475	Celebes Seashell		

# SIZE SPECIFICATIONS: MAXIMUM MOTORIZATION AREA FOR 1.1 NM MOTORS

Bliss™ 1.1 DC, Bliss™ 1.1 Li-Ion, Sonesse® 28 WireFree™ RTS DC, Sonesse® 28 WireFree™ RTS Li-Ion, Sonesse® 28 WireFree™ Zigbee DC, Sonesse® 28 WireFree™ Zigbee Li-Ion

Collection	Code	Color Name	Maximum Shade Size Without Liner	Maximum Shade Size with Liner	Maximum Shade Size with Light Filtering Liner
Woven Wood	CUL-2085	Antigua Maze	46 SQF	36 SQF	40 SQF
Woven Wood	CUL-2547	Antigua Oyster	44 SQF	36 SQF	40 SQF
Woven Wood	CUL-2086	Antigua Surf	42 SQF	34 SQF	38 SQF
Woven Wood	CUL-2157	Banjar Artisan	52 SQF	40 SQF	46 SQF
Woven Wood	CUL-2545	Banjar Cool Gray	66 SQF	48 SQF	56 SQF
Woven Wood	CUL-2546	Banjar Ivory	56 SQF	44 SQF	48 SQF
Woven Wood	CUL-2552	Bimini Gray	44 SQF	36 SQF	38 SQF
Woven Wood	CUL-2108	Bimini Walnut	44 SQF	34 SQF	38 SQF
Woven Wood	CUL-2548	Bimini White	44 SQF	36 SQF	38 SQF
Woven Wood	TER-2057	Ensenada Negro	36 SQF	30 SQF	32 SQF
Woven Wood	TER-2078	Ensenada Tranquil	32 SQF	28 SQF	30 SQF
Woven Wood	TER-2550	Hi-Lo Pebble	56 SQF	44 SQF	48 SQF
Woven Wood	TER-2210	Hi-Lo White	56 SQF	44 SQF	48 SQF
Woven Wood	ELI-2549	Honduras Gray	38 SQF	32 SQF	34 SQF
Woven Wood	ELI-2084	Honduras Rust	24 SQF	22 SQF	24 SQF
Woven Wood	ELI-2083	Honduras Timbre	26 SQF	22 SQF	24 SQF
Woven Wood	TER-2551	Kano Eggshell	56 SQF	44 SQF	48 SQF
Woven Wood	TER-2110	Kano Greywood	56 SQF	42 SQF	48 SQF
Woven Wood	TER-2540	Kano Rhino	56 SQF	42 SQF	48 SQF
Woven Wood	CUL-2223	Mesa Mocha	36 SQF	30 SQF	32 SQF
Woven Wood	ELI-2104	Nagoya Harvest	96 SQF	64 SQF	76 SQF
Woven Wood	CUL-5100	Portsmouth Cove	62 SQF	46 SQF	52 SQF
Woven Wood	CUL-2061	Saba Dusk	38 SQF	32 SQF	34 SQF
Woven Wood	CUL-2060	Saba Sunset	32 SQF	26 SQF	28 SQF
Woven Wood	EXO-2542	Serengeti Light Gray	96 SQF	64 SQF	74 SQF
Woven Wood	EXO-2543	Serengeti Ombé Gray	68 SQF	48 SQF	56 SQF
Woven Wood	EXO-2052	Serengeti Sunrise	82 SQF	56 SQF	66 SQF
Woven Wood	EXO-2232	Serengeti Taos	74 SQF	52 SQF	60 SQF
Woven Wood	EXO-2541	Serengeti White	88 SQF	62 SQF	74 SQF
Woven Wood	EXO-5000	Sumatra Slate	96 SQF	70 SQF	86 SQF
Woven Wood	EXO-2150	Sumatra Surprise	76 SQF	54 SQF	62 SQF
Woven Wood	EXO-5001	Sumatra Twilight	96 SQF	70 SQF	86 SQF
Woven Wood	ELI-2059	Veracruz Earth	26 SQF	24 SQF	24 SQF
Woven Wood	ELI-2080	Veracruz Mocha	28 SQF	24 SQF	26 SQF
Woven Wood	ELI-2544	Veracruz White	38 SQF	30 SQF	34 SQF
Woven Wood	TER-2234	Zee Gray	38 SQF	30 SQF	34 SQF
Woven Wood	TER-2237	Zee White	38 SQF	30 SQF	34 SQF

Collection	Code	Color Name	Maximum Shade Size Without Liner	Maximum Shade Size with Liner	Maximum Shade Size with Light Filtering Liner
Select Weave	SLW-2537	Cancun Shell	84 SQF	54 SQF	64 SQF
Select Weave	SLW-2538	Cancun White	58 SQF	42 SQF	48 SQF
Select Weave	SLW-2529	Cano Cream	82 SQF	54 SQF	64 SQF
Select Weave	SLW-2539	Cano White	74 SQF	50 SQF	58 SQF
Select Weave	SLW-3000	Caspian Frost	66 SQF	46 SQF	54 SQF
Select Weave	SLW-2535	Mali Oyster	96 SQF	60 SQF	72 SQF
Select Weave	SLW-2423	Mali Tan	82 SQF	54 SQF	64 SQF
Select Weave	SLW-2534	Mali White	96 SQF	66 SQF	82 SQF
Select Weave	SLW-2531	Rio Gray	96 SQF	66 SQF	80 SQF
Select Weave	SLW-2536	Rio White	94 SQF	58 SQF	70 SQF
Select Weave	SLW-2526	Salvador Driftwood	84 SQF	52 SQF	64 SQF
Select Weave	SLW-2524	Salvador Mirage	72 SQF	48 SQF	56 SQF
Select Weave	SLW-2525	Salvador Pistachio	70 SQF	46 SQF	54 SQF
Select Weave	SLW-2532	Sintra Cream	96 SQF	62 SQF	76 SQF
Select Weave	SLW-2433	Sintra Dust	96 SQF	66 SQF	80 SQF
Select Weave	SLW-2533	Sintra Sage	84 SQF	54 SQF	66 SQF
Select Weave	SLW-2445	Tunisia Gray	96 SQF	66 SQF	82 SQF
Select Weave	SLW-2441	Tunisia Ivory	96 SQF	78 SQF	96 SQF

Collection	Code	Color Name	Maximum Shade Size Without Liner	Maximum Shade Size with Liner	Maximum Shade Size with Light Filtering Liner
Grass Weave	GRW-2311	Granada Ginger	96 SQF	70 SQF	90 SQF
Grass Weave	GRW-2349	Kokomo Gravel	96 SQF	66 SQF	82 SQF
Grass Weave	GRW-2348	Kokomo Gray	96 SQF	66 SQF	82 SQF
Grass Weave	GRW-2350	Kokomo Taupe	96 SQF	66 SQF	82 SQF
Grass Weave	GRW-2324	Luzon Cornsilk	96 SQF	74 SQF	96 SQF
Grass Weave	GRW-2325	Luzon Greige	96 SQF	74 SQF	96 SQF
Grass Weave	GRW-2323	Luzon Whisper	96 SQF	74 SQF	96 SQF
Grass Weave	GRW-2339	Singapore Cotton	96 SQF	70 SQF	90 SQF
Grass Weave	GRW-2338	Singapore Talc	96 SQF	70 SQF	90 SQF

# SIZE SPECIFICATIONS: MAXIMUM MOTORIZATION AREA FOR 2.0 NM MOTORS

**Bliss™ 2.0 Li-Ion, Sonesse® ULTRA 30 WireFree™ RTS Li-Ion, Sonesse® ULTRA 30 WireFree™ ZigBee Li-Ion, Sonesse® 30 RTS 24v DC**

Collection	Code	Color Name	Maximum Shade Size Without Liner	Maximum Shade Size with Liner	Maximum Shade Size with Light Filtering Liner
Woven Wood	CUL-2085	Antigua Maze	80 SQF	64 SQF	70 SQF
Woven Wood	CUL-2547	Antigua Oyster	78 SQF	62 SQF	68 SQF
Woven Wood	CUL-2086	Antigua Surf	72 SQF	58 SQF	64 SQF
Woven Wood	CUL-2157	Banjar Artisan	90 SQF	70 SQF	78 SQF
Woven Wood	CUL-2545	Banjar Cool Gray	96 SQF	84 SQF	94 SQF
Woven Wood	CUL-2546	Banjar Ivory	96 SQF	74 SQF	82 SQF
Woven Wood	CUL-2552	Bimini Gray	76 SQF	60 SQF	66 SQF
Woven Wood	CUL-2108	Bimini Walnut	74 SQF	60 SQF	66 SQF
Woven Wood	CUL-2548	Bimini White	76 SQF	60 SQF	66 SQF
Woven Wood	TER-2057	Ensenada Negro	60 SQF	50 SQF	54 SQF
Woven Wood	TER-2078	Ensenada Tranquil	56 SQF	46 SQF	50 SQF
Woven Wood	TER-2550	Hi-Lo Pebble	96 SQF	74 SQF	82 SQF
Woven Wood	TER-2210	Hi-Lo White	96 SQF	74 SQF	84 SQF
Woven Wood	ELI-2549	Honduras Gray	64 SQF	54 SQF	58 SQF
Woven Wood	ELI-2084	Honduras Rust	44 SQF	38 SQF	40 SQF
Woven Wood	ELI-2083	Honduras Timbre	44 SQF	38 SQF	42 SQF
Woven Wood	TER-2551	Kano Eggshell	96 SQF	74 SQF	82 SQF
Woven Wood	TER-2110	Kano Greywood	94 SQF	72 SQF	80 SQF
Woven Wood	TER-2540	Kano Rhino	96 SQF	74 SQF	82 SQF
Woven Wood	CUL-2223	Mesa Mocha	64 SQF	52 SQF	56 SQF
Woven Wood	ELI-2104	Nagoya Harvest	96 SQF	96 SQF	96 SQF
Woven Wood	CUL-5100	Portsmouth Cove	96 SQF	78 SQF	88 SQF
Woven Wood	CUL-2061	Saba Dusk	66 SQF	54 SQF	60 SQF
Woven Wood	CUL-2060	Saba Sunset	54 SQF	46 SQF	50 SQF
Woven Wood	EXO-2542	Serengeti Light Gray	96 SQF	96 SQF	96 SQF
Woven Wood	EXO-2543	Serengeti Ombré Gray	96 SQF	84 SQF	96 SQF
Woven Wood	EXO-2052	Serengeti Sunrise	96 SQF	96 SQF	96 SQF
Woven Wood	EXO-2232	Serengeti Taos	96 SQF	96 SQF	96 SQF
Woven Wood	EXO-2541	Serengeti White	96 SQF	96 SQF	96 SQF
Woven Wood	EXO-5000	Sumatra Slate	96 SQF	96 SQF	96 SQF
Woven Wood	EXO-2150	Sumatra Surprise	96 SQF	92 SQF	96 SQF
Woven Wood	EXO-5001	Sumatra Twilight	96 SQF	96 SQF	96 SQF
Woven Wood	ELI-2059	Veracruz Earth	46 SQF	40 SQF	42 SQF
Woven Wood	ELI-2080	Veracruz Mocha	48 SQF	42 SQF	44 SQF
Woven Wood	ELI-2544	Veracruz White	64 SQF	54 SQF	58 SQF
Woven Wood	TER-2234	Zee Gray	64 SQF	54 SQF	58 SQF
Woven Wood	TER-2237	Zee White	64 SQF	54 SQF	58 SQF

Collection	Code	Color Name	Maximum Shade Size Without Liner	Maximum Shade Size with Liner	Maximum Shade Size with Light Filtering Liner
Select Weave	SLW-2537	Cancun Shell	96 SQF	96 SQF	96 SQF
Select Weave	SLW-2538	Cancun White	96 SQF	96 SQF	96 SQF
Select Weave	SLW-2529	Cano Cream	96 SQF	96 SQF	96 SQF
Select Weave	SLW-2539	Cano White	96 SQF	92 SQF	96 SQF
Select Weave	SLW-3000	Caspian Frost	96 SQF	84 SQF	96 SQF
Select Weave	SLW-2535	Mali Oyster	96 SQF	96 SQF	96 SQF
Select Weave	SLW-2423	Mali Tan	96 SQF	96 SQF	96 SQF
Select Weave	SLW-2534	Mali White	96 SQF	96 SQF	96 SQF
Select Weave	SLW-2531	Rio Gray	96 SQF	96 SQF	96 SQF
Select Weave	SLW-2536	Rio White	96 SQF	96 SQF	96 SQF
Select Weave	SLW-2526	Salvador Driftwood	96 SQF	96 SQF	96 SQF
Select Weave	SLW-2524	Salvador Mirage	96 SQF	96 SQF	96 SQF
Select Weave	SLW-2525	Salvador Pistachio	96 SQF	96 SQF	96 SQF
Select Weave	SLW-2532	Sintra Cream	96 SQF	96 SQF	96 SQF
Select Weave	SLW-2433	Sintra Dust	96 SQF	96 SQF	96 SQF
Select Weave	SLW-2533	Sintra Sage	96 SQF	96 SQF	96 SQF
Select Weave	SLW-2445	Tunisia Gray	96 SQF	96 SQF	96 SQF
Select Weave	SLW-2441	Tunisia Ivory	96 SQF	96 SQF	96 SQF

Collection	Code	Color Name	Maximum Shade Size Without Liner	Maximum Shade Size with Liner	Maximum Shade Size with Light Filtering Liner
Grass Weave	GRW-2311	Granada Ginger	96 SQF	96 SQF	96 SQF
Grass Weave	GRW-2349	Kokomo Gravel	96 SQF	96 SQF	96 SQF
Grass Weave	GRW-2348	Kokomo Gray	96 SQF	96 SQF	96 SQF
Grass Weave	GRW-2350	Kokomo Taupe	96 SQF	96 SQF	96 SQF
Grass Weave	GRW-2324	Luzon Cornsilk	96 SQF	96 SQF	96 SQF
Grass Weave	GRW-2325	Luzon Greige	96 SQF	96 SQF	96 SQF
Grass Weave	GRW-2323	Luzon Whisper	96 SQF	96 SQF	96 SQF
Grass Weave	GRW-2339	Singapore Cotton	96 SQF	96 SQF	96 SQF
Grass Weave	GRW-2338	Singapore Talc	96 SQF	96 SQF	96 SQF

# SIZE SPECIFICATIONS: WOVEN WOODS & DECORATIVE WOVENS

Default Headrail Size				
Lifting System	Shade Configuration	3/4"	Small (1½")	Large (2½")
Cordlock (Standard & Waterfall)	Single	✓	Default	✓
	2 on 1		Default	✓
Continuous Loop Control	Single			Default
	2 on 1			Default
Top-Down Bottom Up	Single		Default	
	2 on 1 *		✓	✓
Cordless Breeze	Single **		✓	✓
	2 on 1			Default
	3 on 1			Default
Motorized	Single			Default
	2 on 1			Default
	3 on 1 ***			Default

- All Standard Rectangular shades are built on the SMALL 1½" depth headrail unless the LARGE 2½" depth headrail is specified on the order.
- Continuous Loop Control and Motorization shades are only built on the large 2½" depth headrail due to the tube size.
- Cordlock 2 on 1 Shade can also be built on a LARGE 2½" depth headrail.
- \* 2 on 1 Top-Down/Bottom-Up shades that are wider than 96" in width are built on a 2½" headrail.
- \*\* Cordless Breeze shades can be built on SMALL 1½" and/or LARGE 2½" depth headrail depending on shade material and size.

### Twill Edge-Binding and Faux Silk Binding

- Shades ordered with Twill Edge-Binding or Faux Silk Binding follow the same size specifications as listed on the preceding pages.
- **On Cordless Breeze, binding can only go onto shade sides and/or valance sides (ES/ESVB/TS/TSVB) if ordered.**

SHADE Valances	Shade Height	Valance Height
ALL Shades	Under 18"	4"
ALL Shades	18" and Over	6"
MAXIMUM Custom Valance Height - With NO Extra Charge	any	Up to 12"

- Valance heights may vary by + or -¾" due to the variations in woven materials.
- OB valances will include the Valance Return Stabilizer (VRS) System (Woven Wood patterns only).

SHADE Valance returns depth for Standard Cordlock				
Headrail Size	Mount Type	Standard	Minimum	Maximum
1½" (Small)	Inside Mount - default no returns	1½"	1½"	2"
	Outside Mount	1¾" / 1½" (waterfall)	1½"	2"
2½" (Large)	Inside Mount - default no returns	2½"	1½"	3"
	Outside Mount	2¾" / 2½" (waterfall)	1½"	3"

SHADE Valance returns depth for Cordless Breeze				
Headrail Size	Mount Type	Standard	Minimum	Maximum
1½" (Small)	Inside Mount - default no returns	1½"	1½"	2"
	Outside Mount	1¾"	1½"	2"
2½" (Large)	Inside Mount - default no returns	2½"	1½"	3"
	Outside Mount	2¾"	1½"	3"

SHADE Valance returns depth for Continuous Loop Control				
Headrail Size	Mount Type	Standard	Minimum	Maximum
2½" (Large)	Inside Mount - default no returns	2½"	1½"	3"
	Outside Mount	2¾"	1½"	3"

SHADE Valance returns depth for Automation				
Headrail Size	Mount Type	Standard	Minimum	Maximum
2½" (Large)	Inside Mount - default no returns	2½"	1½"	3"
	Outside Mount	2¾" / 2½" (waterfall)	1½"	3"

INDIVIDUAL Valances	Standard
MINIMUM WIDTH	10"
MAXIMUM WIDTH*	72" / 96" (without seam)
MINIMUM HEIGHT	4"
MAXIMUM HEIGHT	12"

- Valance heights may vary by + or -¾" due to the variations in woven materials. Individual valances are built on the 2-1/2" depth headrail unless specified.
- OB valances will include the Valance Return Stabilizer (VRS) System if ordered on a headrail (Woven Wood patterns only).
- \* Maximum width can go up to 120" with seam for **Salvador** collection under Select Weave as well as most Grass Weave patterns.

INDIVIDUAL Valance returns depth				
Headrail Size	Mount Type	Standard	Minimum	Maximum
¾" (Narrow)	Inside Mount - default no returns	N/A	N/A	N/A
1½" (Small)	Inside Mount - default no returns	1½"	1½"	2"
	Outside Mount	1¾"	1½"	2"
2½" (Large)	Inside Mount - default no returns	2½"	1½"	3"
	Outside Mount	2¾"	1½"	3"

# PRODUCT SPECIFICATIONS: NATURAL WOVEN SHADES

## FINISHED DIMENSIONS

Adjustments are taken from ordered dimensions and may vary slightly.

## MOUNTING REQUIREMENTS

Use a metal tape measure for all measurements.

### STANDARD CORDLOCK & TOP-DOWN/BOTTOM-UP

<b>Inside (IB/IS) Mount</b>	
Headrail, Valance & Fabric Width	- 1/2"
Shade Height	ordered height
<b>Outside (OB/OS) &amp; Ceiling Mount</b>	
Headrail Width	ordered width
Valance Width*	+ 1"
Fabric Width	ordered width
Shade Height	ordered height

<b>2 on 1 (and 3 on 1) Headrail</b>	
Gap Between Panels	- 1/2"

<b>1 1/2" Headrail Clearance Requirement</b>	
<b>Inside (IB/IS) Mount</b>	
Minimum Mounting Depth	1 1/2"
Minimum Mounting Depth, Flush Mount **	2 1/4"
<b>Outside (OB/OS) Mount</b>	
Minimum Flat Vertical Surface	1"

<b>2 1/2" Headrail Clearance Requirement</b>	
<b>Inside (IB/IS) Mount</b>	
Minimum Mounting Depth	1 1/2"
Minimum Mounting Depth, Flush Mount **	3 1/4"
<b>Outside (OB/OS) Mount</b>	
Minimum Flat Vertical Surface	1"

### CONTINUOUS LOOP CONTROL & CORDLESS BREEZE

(Bottom Up Only)

<b>Inside (IB/IS) Mount</b>	
Headrail, Valance & Fabric Width	- 1/2"
Shade Height	ordered height
<b>Outside (OB/OS) &amp; Ceiling Mount</b>	
Headrail Width	+ 1/2"
Valance Width*	+ 1 1/2"
Fabric Width	ordered width
Shade Height	ordered height

<b>2 on 1 Headrail</b>	
Gap Between Panels	- 1/2"

**Note:** Continuous Loop Control Shades have adjusted Inside mount width deductions and outside mount width additions to allow operational clearance for the loop control and safety tensioner.

<b>2 1/2" Headrail Clearance Requirement</b>	
<b>Inside (IB/IS) Mount</b>	
Minimum Mounting Depth	1 1/2"
Minimum Mounting Depth, Flush Mount **	3 1/4"
<b>Outside (OB/OS) Mount</b>	
Minimum Flat Vertical Surface	1"

<b>1 1/2" Headrail Clearance Requirement (Cordless Breeze* only)</b>	
<b>Inside (IB/IS) Mount</b>	
Minimum Mounting Depth	1/2"
Minimum Mounting Depth, Flush Mount **	2 1/4"
<b>Outside (OB/OS) Mount</b>	
Minimum Flat Vertical Surface	1"

\* Depending on the material and shade size, cordless breeze shade can be built on 1-1/2" and/or 2-1/2" headrail (See **Cordless Specifications: Headrail & Size** section for detail).

### FINISHED DIMENSION & MOUNTING NOTES

Note: Ceiling mount shades are OB/OS by default and have the same finished dimensions. IB/IS shades may also be "TOP" mounted using the standard L-style brackets or using the optional Flat brackets.

\*\* The flush mount depth requirements indicated above include space for the woven material attached to the front (valance) and back (shade) sides of the headrail. These are AVERAGE depths as the different woven wood materials have varying degrees of thickness. Verify your individual shade's depth before mounting, then position brackets accordingly for an EXACT flush mount.

\* OB/OS Valances and returns are attached using a Valance Return Stabilizer. The OB/OS valance width additions indicated above create a "cornice style" box for improved appearance and operation.



# PRODUCT SPECIFICATIONS: NATURAL WOVEN SHADES

## FINISHED DIMENSIONS

Adjustments are taken from ordered dimensions and may vary slightly.

## MOUNTING REQUIREMENTS

Use a metal tape measure for all measurements.

### BLISS & SOMFY AUTOMATION (Bottom Up Only)

2 ½" Headrail (Standard Fold)	
Inside (IB/IS) Mount	
Headrail, Valance & Fabric Width	- ½"
Shade Height	ordered height
Outside (OB/OS) & Ceiling Mount	
Headrail Width	order width
Valance Width*	+1"
Fabric Width	ordered width
Shade Height	ordered height

2 ½" Headrail (Waterfall)	
Inside (IB/IS) Mount	
Headrail & Fabric Width	- ½"
Shade Height	ordered height
Outside (OB/OS) & Ceiling Mount	
Headrail & Fabric Width	ordered width
Shade Height	ordered height

2 ½" Headrail (Standard Fold) Clearance Requirement	
Inside (IB/IS) Mount	
Minimum Mounting Depth	1 ½"
Minimum Mounting Depth, Flush Mount **	3 ¼"
Outside (OB/OS) Mount	
Minimum Flat Vertical Surface	1"

2 ½" Headrail (Waterfall) Clearance Requirement	
Inside (IB/IS) Mount	
Minimum Mounting Depth	1 ½"
Minimum Mounting Depth, Flush Mount **	3"
Outside (OB/OS) Mount	
Minimum Flat Vertical Surface	1"

### Waterfall Style (Front Side Shade, No Valance) - VALANCE IN BACK OF SHADE

Inside (IB/IS) Mount	
Headrail & Fabric Width	- ½"
Shade Height	ordered height
Outside (OB/OS) & Ceiling Mount	
Headrail & Fabric Width	ordered width
Shade Height	ordered height

1 ½" Headrail Clearance Requirement	
Inside (IB/IS) Mount	
Minimum Mounting Depth	1 ½"
Minimum Mounting Depth, Flush Mount **	2"
Outside (OB/OS) Mount	
Minimum Flat Vertical Surface	1"

2 on 1 (and 3 on 1) Headrail	
Gap Between Panels	- ½"

2 ½" Headrail Clearance Requirement	
Inside (IB/IS) Mount	
Minimum Mounting Depth	1 ½"
Minimum Mounting Depth, Flush Mount **	3"
Outside (OB/OS) Mount	
Minimum Flat Vertical Surface	1"

**Note:** A backside valance is provided on IB/IS mounts to hide the components under the headrail from outside view.

### ¾" HEADRAIL SHADES (For Narrow-Depth Mounts)

Inside (IB/IS) Mount	
Headrail & Fabric Width	- ½"
Shade Height	ordered height
Outside (OB/OS) & Ceiling Mount	
Headrail, Fabric & Valance Width	ordered width
Shade Height	ordered height

¾" Headrail Clearance Requirement	
Inside (IB/IS) Mount	
Minimum Mounting Depth	¾"
Minimum Mounting Depth, Flush Mount **	1 ¼"
Outside (OB/OS) Mount	
Minimum Flat Vertical Surface	½"

2 on 1 (and 3 on 1) Headrail	
Gap Between Panels	- ½"

**Note:** Valance returns are NOT included with narrow headrail shades.

### FINISHED DIMENSION & MOUNTING NOTES

Note: Ceiling mount shades are OB/OS by default and have the same finished dimensions. IB/IS shades may also be "TOP" mounted using the standard L-style brackets or using the optional Flat brackets.

\*\* The flush mount depth requirements indicated above include space for the woven material attached to the front (valance) and back (shade) sides of the headrail. These are AVERAGE depths as the different woven wood materials have varying degrees of thickness. Verify your individual shade's depth before mounting, then position brackets accordingly for an EXACT flush mount.

\* OB/OS Valances and returns are attached using a Valance Return Stabilizer. The OB/OS valance width additions indicated above create a "cornice style" box for improved appearance and operation.



Midwest  
Designer  
Supply

**1-888-523-2611**

**Midwest Designer Supply, Inc.  
N30W22377 Green Road Ste C  
Waukesha, WI 53186  
(262) 523-2600  
Fax (262) 524-1007  
[www.midwestdesignersupply.com](http://www.midwestdesignersupply.com)**

*MDS - your one source for window fashions.*